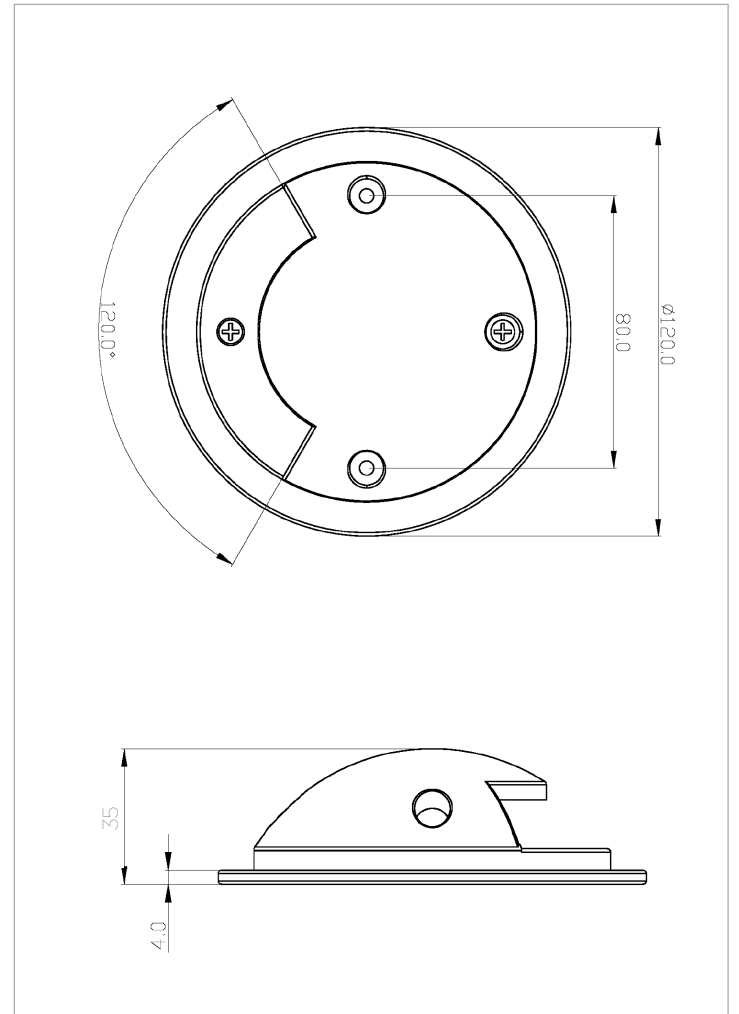


NL-3W-DL-S-SS



3 WATT SURFACE DRIVE LIGHT STAINLESS STEEL

- 3 Watt CREE high power LED (not replaceable)
- Energy efficient, total consumption 5 Watts
- Waterproof rating of IP68, submersible to 3M
- Comes with inground shroud for setting in concrete
- Stainless Steel base for good heat dissipation
- Powder Brushed stainless steel finish
- Fitted with 1 x 2M of 12 volt cable
- Easy to fit without the need for special tool



SPECIFICATION

Body Finish	Stainless steel Alluminum
Dimensions	Dia 120mm x 35mm
Light Source	3 watt CREE LED
Flux	120 Lm (max)
LED colour	Warm white / 3000k
Beam angle	120°
Input Voltage	12V AC / 12V -16V DC
Power consumption	3 watts
Protection class	IP68 / Connector IP68
Cable	1 x 2m with connector
Installation	Above ground & below water
Transfomer loading	3 watts