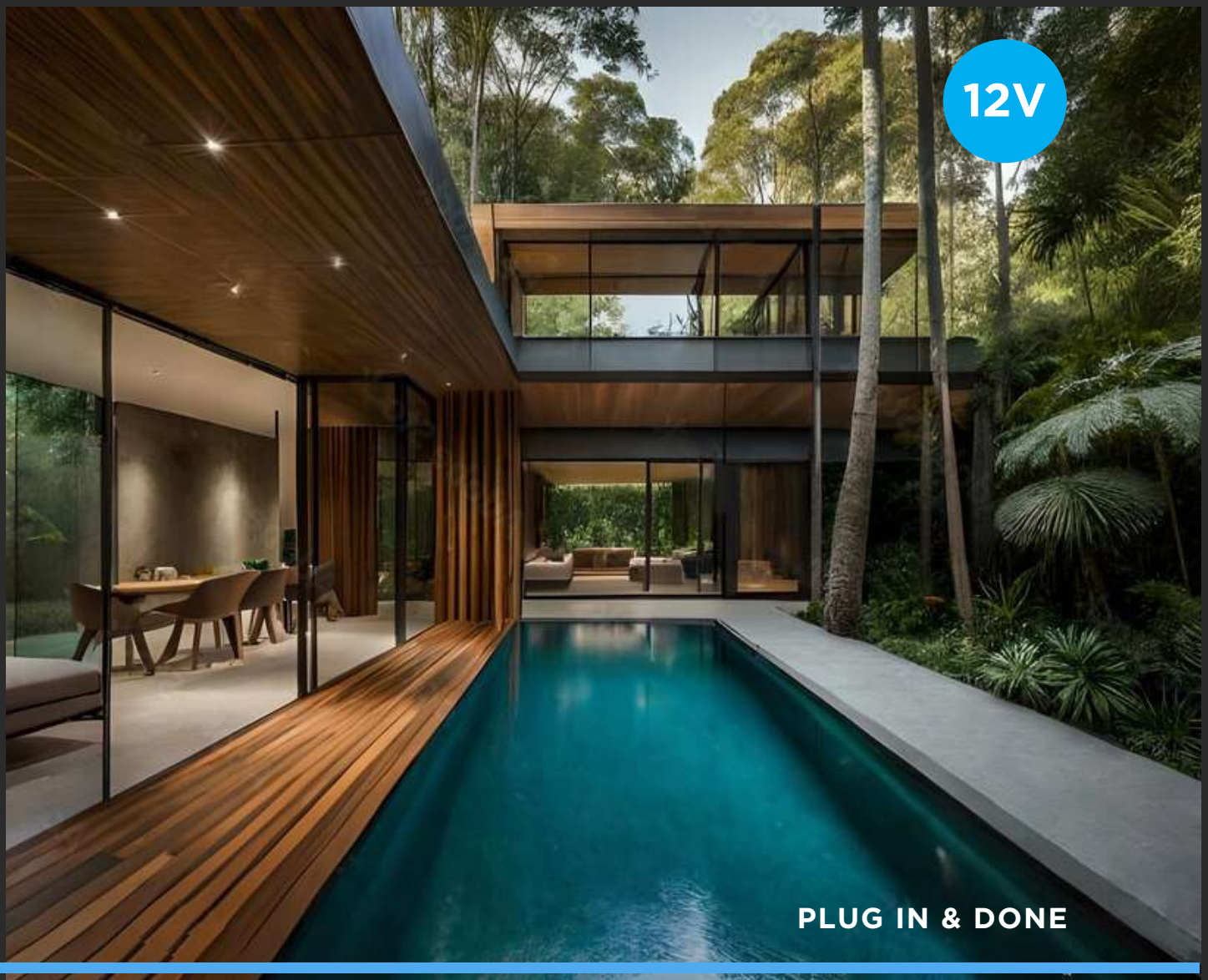


PROFESSIONAL PLUG & PLAY
NO ELECTRICIAN NEEDED
FREE RETURNS
5 YEAR WARRANTY
CHILD & PET SAFE

NiteLux®

YOUR GARDEN IN A NEW LIGHT



12V

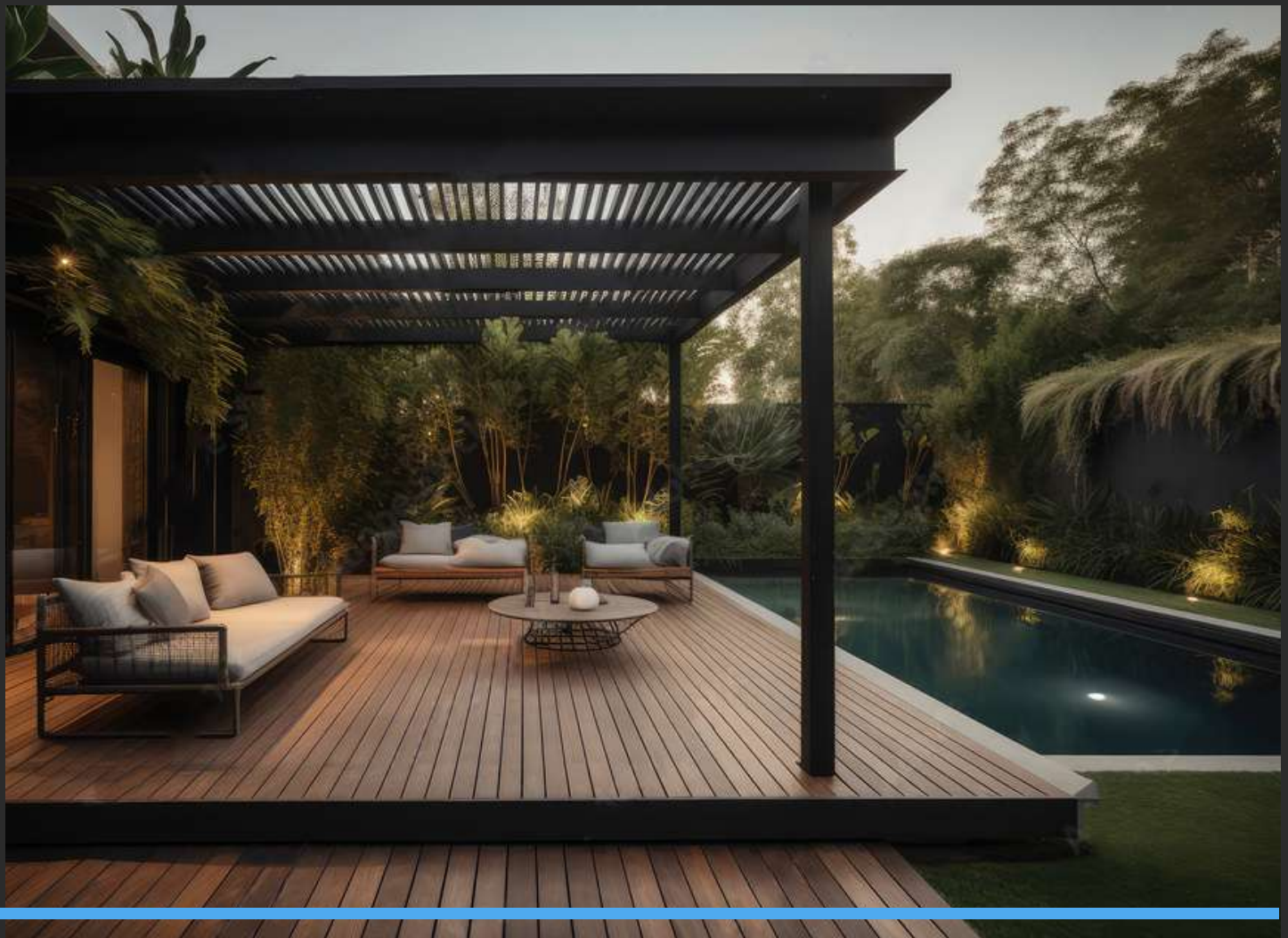
PLUG IN & DONE

Our vision is to be the
most trusted &
respected garden
lighting suppliers in
the UK.

We are redefining
garden lighting.

YOUR GARDEN IN A NEW LIGHT

www.NiteLux.co.uk
020 3916 5328



12V

COMPLETE SETUP IN 3 STEPS

PLUG IN & DONE



STEP 1

- CHOOSE YOUR LIGHTS AND MOUNTING BASES



STEP 2

- CHOOSE YOUR LINK CABLES AND CABLE CONNECTORS



STEP 3

- CHOOSE YOUR TRANSFORMERS
A TIMER AND CABLE PEGS

ABOUT

DESIGNED BY NITELUX IN LONDON

NiteLux is the culmination of over two decades of dedication by landscape lighting pioneers. Frustrated by the high costs and complexity associated with garden lighting, they embarked on a mission to create a superior solution accessible to all.

Led by M.D. Paul Naylor, NiteLux not only upholds exceptional quality standards but is also designed for simple installation, making it accessible to everyone.

We are committed to our environmental responsibility and have joined forces with Ecologi, a driving force in global climate action. With every purchase, we pledge to plant trees worldwide and support vital environmental initiatives, contributing to a greener planet. NiteLux proudly supports WEEE, ensuring the safe disposal of LED products according to UK Government law.

We are currently the sole BALI registered retailer of garden lights. Our products are CE certified, adhering to the latest BS EN60598-1:2008 standards, independently lab tested and certified for your peace of mind.

Discover the high quality of NiteLux, easy accessibility, and environmental commitment in the world of garden lighting. We are redefining garden lighting.

Plug in & done. Part P exempt.



CONTENTS

STEP 1

- 02 SPOTLIGHTS
- 09 UPLIGHTS
- 16 FLOODLIGHTS
- 19 STEP LIGHTS
- 25 PATH & BOLLARD
- 30 DRIVE LIGHTS
- 34 MARKER LIGHTS
- 36 WALL LIGHTS

STEP 2

- 39 CONNECTORS
- 41 CABLES

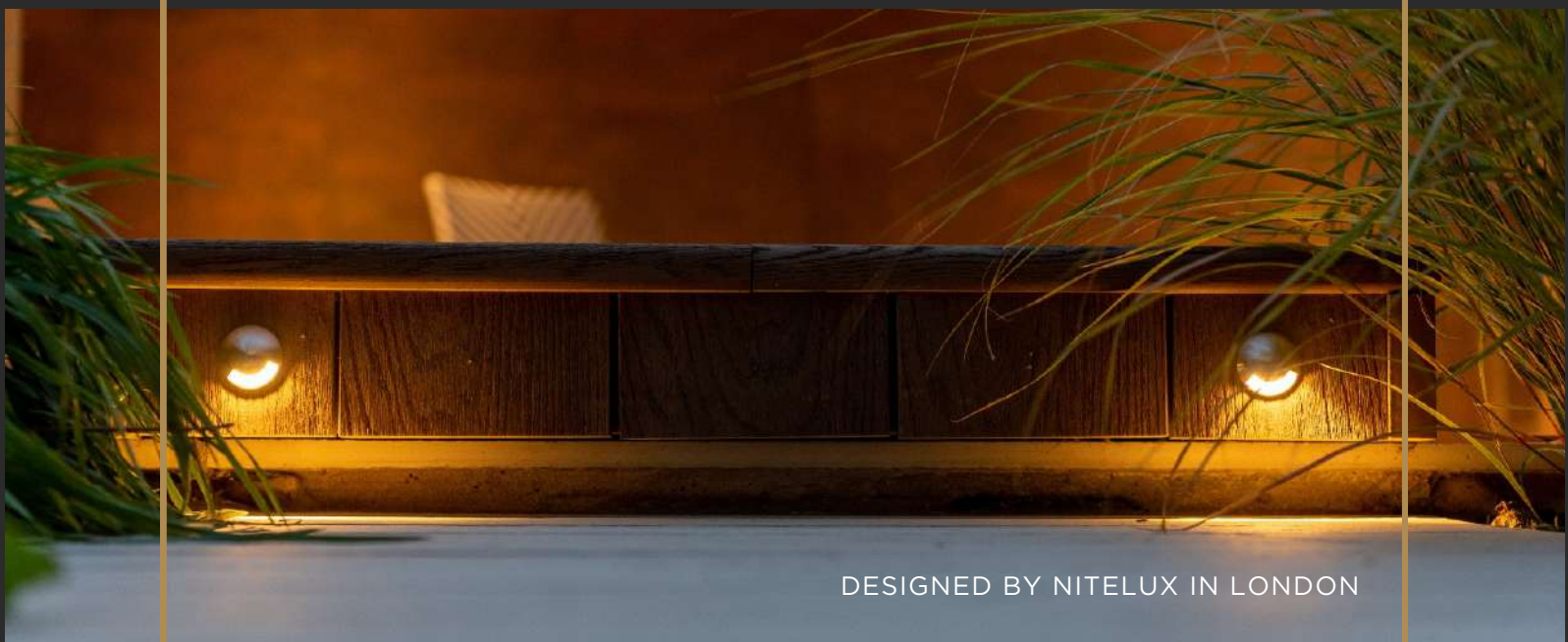
STEP 3

- 43 TRANSFORMERS
- 10 TIMERS

EXTRAS

- 44 ACCESSORIES
- 45 THE 3 STEPS
- 46 DESIGN GUIDELINES
- 47 LANDSCAPERS
- 48 ELECTRICIANS
- 49 DESIGNERS
- 50 GO GREEN

PART P EXEMPT



DESIGNED BY NITELUX IN LONDON

COMPOSITION

INSPIRING IDEAS FOR ANY SPACE, USING CLEVER LIGHTING

MOON LIGHTING:

This is a technique of outdoor lighting that replicates the soft and natural illumination provided by the moon.

TASK LIGHTING:

Focussing on specific areas for functional purposes. It includes lights for pathways, stairs, and outdoor seating areas, ensuring safe navigation & convenience.

GRAZING:

This involves placing lights close to a textured surface, such as a stone wall or tree bark, to highlight the surface's texture and add depth to the garden.

UP LIGHTING:

By placing lights at ground level to illuminate trees, structures, or architectural features from below, creating a dramatic & enchanting effect.

ACCENT LIGHTING:

This is used to highlight particular features or elements in the garden, such as trees, plants, sculptures, or architectural details. It adds drama and visual interest to the landscape.

SILHOUETTE LIGHTING:

Involves placing lights behind objects to create captivating silhouettes against walls or screens, adding intrigue and artistic appeal.



12V

NO TOOLS NEEDED



NO ELECTRICIAN NEEDED

NITELUX / 01



SPOTLIGHTS

STEP 1

IP68: OUR SPOT LIGHTS ARE TESTED TO A DEPTH OF 4M IN WATER

LIGHT YOUR WAY

These elegant & energy efficient Spotlights are made from brass which is then powder-coated in black, allowing them to withstand extreme change in temperatures and weather.

- Toughened stepped glass
- Branded Cree led chip
- Ribbed body for heat distribution
- Fully functional glare guard
- HO5RN-F cable
- Vertical orientation
- Horizontal orientation
- Quick change IP68 connector

AVAILABLE SIZES

- 2W
- 4W
- 9W
- 25W

ACCESSORIES

There is also a complete range of Cables, Adapters & Transformers. Manufactured to the IP67/68 specification.

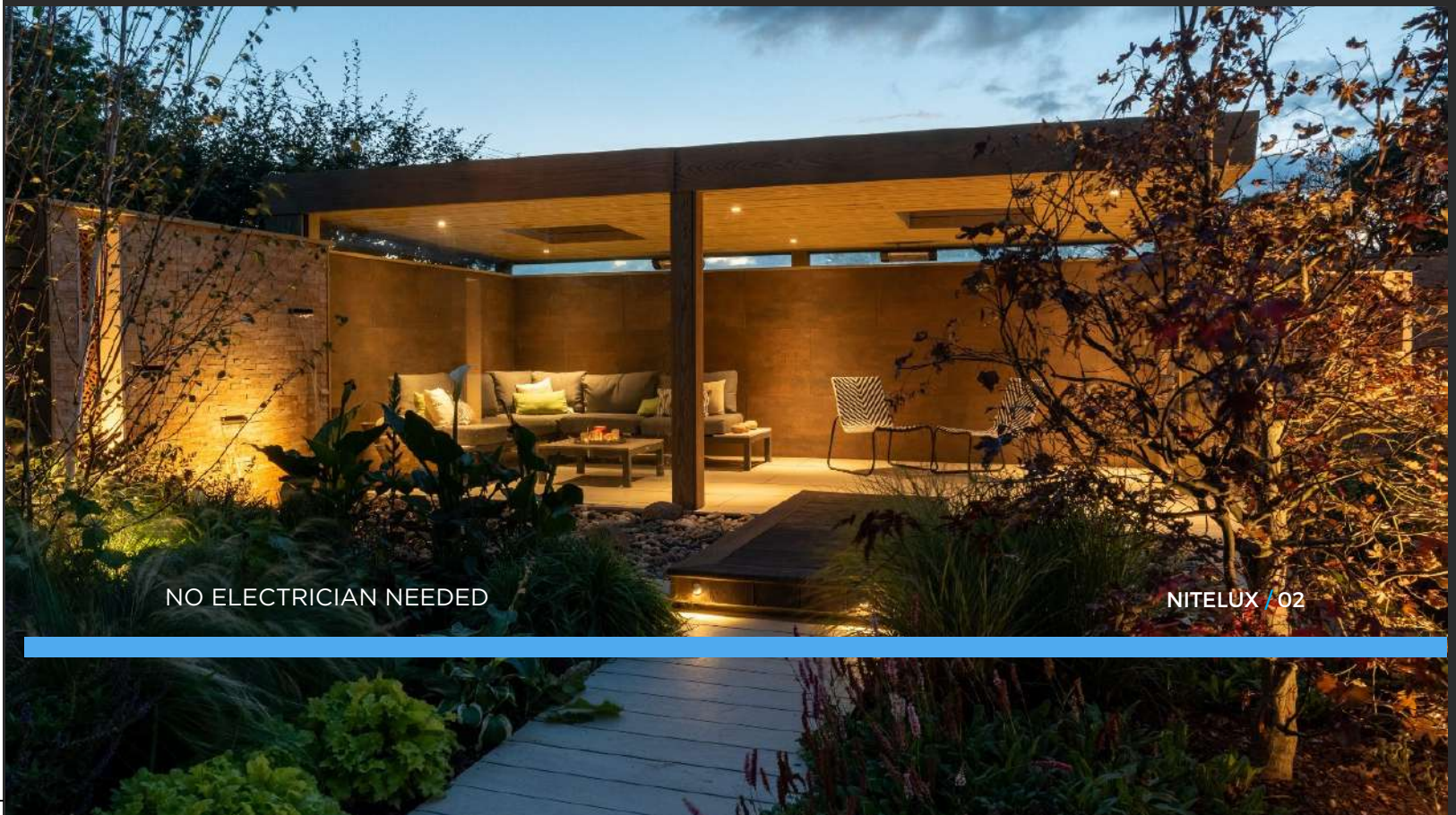


12V

NO TOOLS NEEDED

NO ELECTRICIAN NEEDED

NITELUX / 02



SPOTLIGHTS

2W SPIKE SPOTLIGHT

STEP 1

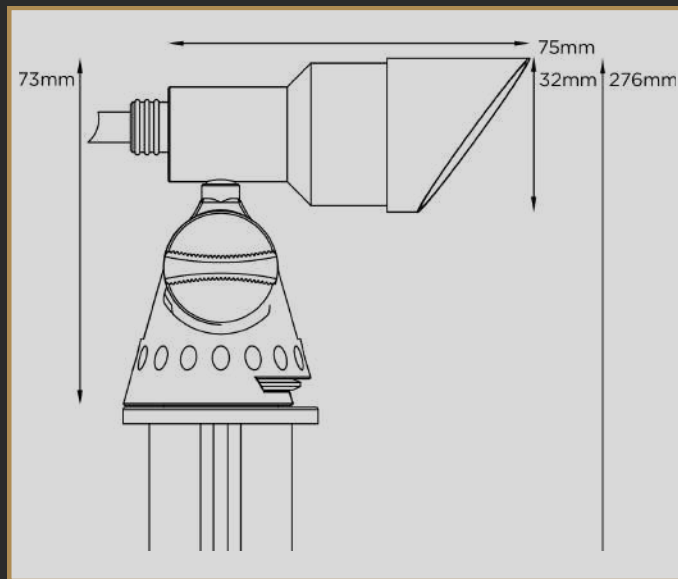


12V / NO ELECTRICIAN NEEDED

FITTED WITH 2M 12V HO5RN-F CABLE

WATTAGE	2W
VOLTAGE	12V/24V AC/DC
LUMEN	120
LED CHIP	CREE LED COB
TEMP MIN.	-30°C
TEMP MAX.	+35 °C
CONSTRUCTION	Brass
COLOUR	Black Powder-Coated
BEAM ANGLE	60 Degrees
IP RATING	IP68
COLOUR OUTPUT	Warm White 3000K

PRODUCT CODE NL-SL-2W



BOX CONTENTS

- 2W Spotlight
- Ground Spike
- 2W Glare-Guard
- 2M Link Cable
- Instructions



MOUNTING OPTIONS

Weighted Mounting Base	NL-WB
Mounting Base	NL-MB
Ground Stake	NL-GS
Wall Mounting Bracket	NL-WL
Tree Bracket	NL-TB
Extension Pole	NL-EP



NITELUX / 03

SPOTLIGHTS

4W SPIKE SPOTLIGHT

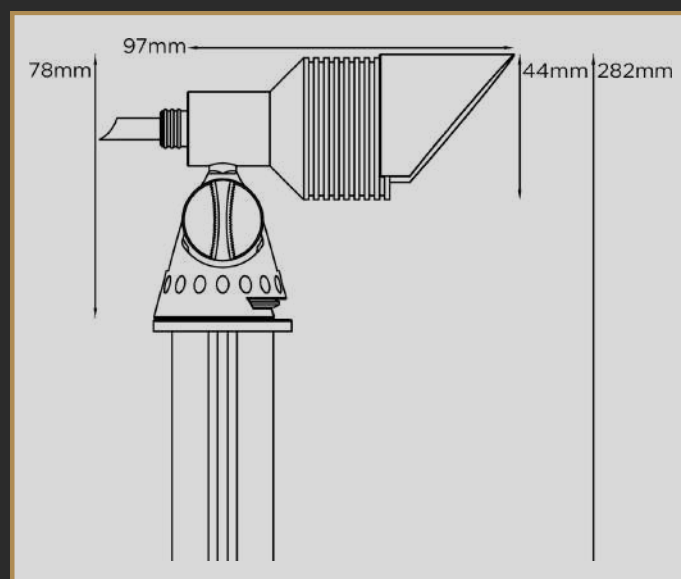
STEP 1



FITTED WITH 2M 12V HO5RN-F CABLE

WATTAGE	4W
VOLTAGE	12V/24V AC/DC
LUMEN	260
LED CHIP	CREE LED COB
TEMP MIN.	-30°C
TEMP MAX.	+35 °C
CONSTRUCTION	Brass
COLOUR	Black Powder-Coated
BEAM ANGLE	45 Degrees
IP RATING	IP68
COLOUR OUTPUT	Warm White 3000K

PRODUCT CODE NL-SL-4W



BOX CONTENTS

- 4W Spotlight
- Ground Spike
- 2W Glare-Guard
- 2M Link Cable
- Instructions

MOUNTING OPTIONS

Weighted Mounting Base	NL-WB
Mounting Base	NL-MB
Ground Stake	NL-GS
Wall Mounting Bracket	NL-WL
Tree Bracket	NL-TB
Extension Pole	NL-EP

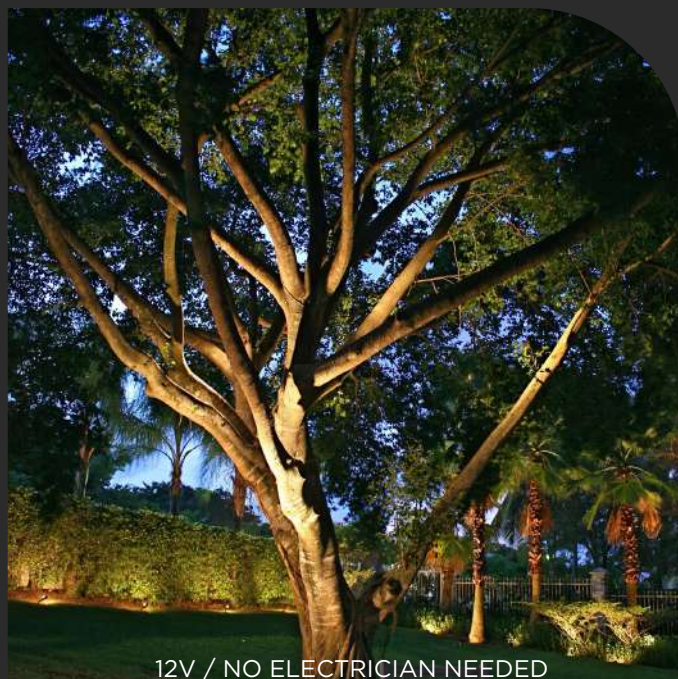


NITELUX / 04

SPOTLIGHTS

9W SPIKE SPOTLIGHT

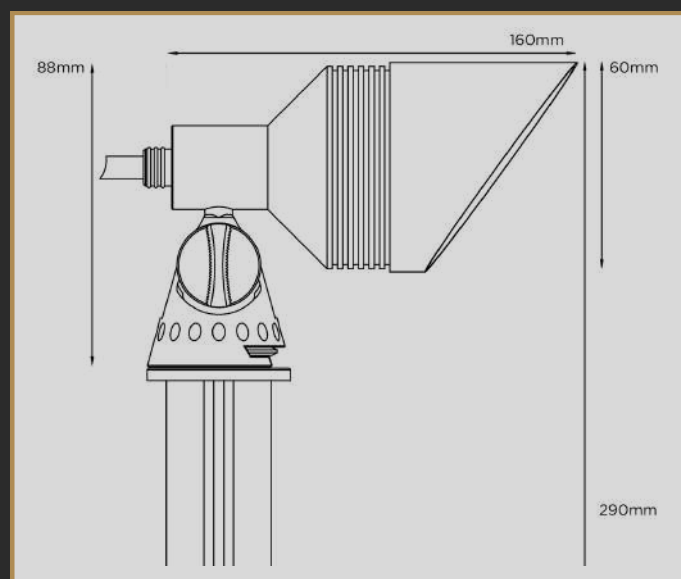
STEP 1



FITTED WITH 2M 12V HO5RN-F CABLE

WATTAGE	9W
VOLTAGE	12V/24V AC/DC
LUMEN	380
LED CHIP	CREE LED COB
TEMP MIN.	-30°C
TEMP MAX.	+35 °C
CONSTRUCTION	Brass
COLOUR	Black Powder-Coated
BEAM ANGLE	40 Degrees
IP RATING	IP68
COLOUR OUTPUT	Warm White 3000K

PRODUCT CODE NL-SL-9W



BOX CONTENTS

- 9W Spotlight
- Ground Spike
- 2W Glare-Guard
- 2M Link Cable
- Instructions



MOUNTING OPTIONS

Weighted Mounting Base	NL-WB
Mounting Base	NL-MB
Ground Stake	NL-GS
Wall Mounting Bracket	NL-WL
Tree Bracket	NL-TB
Extension Pole	NL-EP

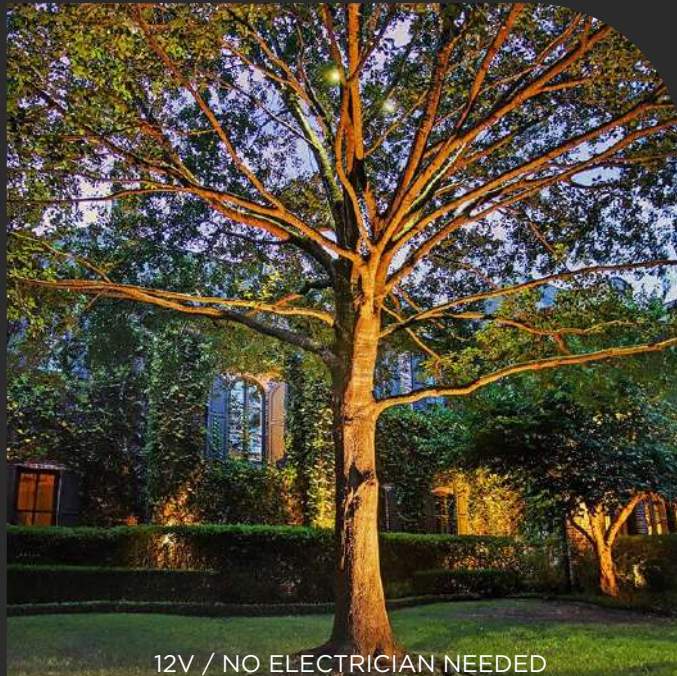


NITELUX / 05

SPOTLIGHTS

25W SPIKE SPOTLIGHT

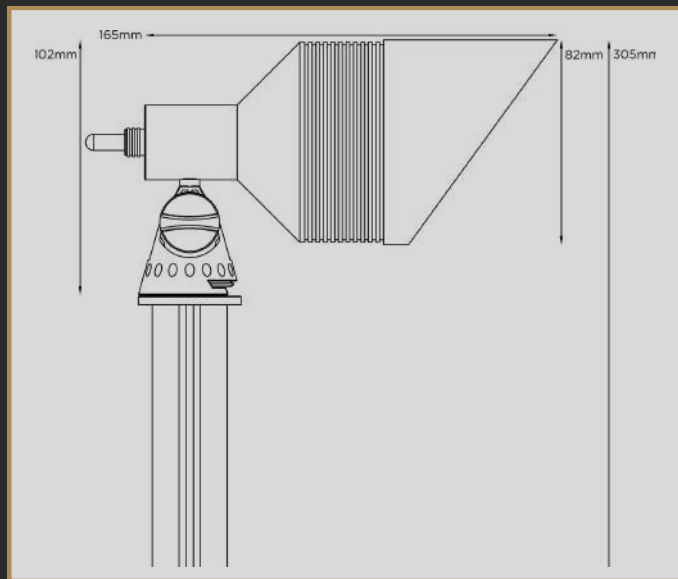
STEP 1



FITTED WITH 2M 12V HO5RN-F CABLE

WATTAGE	25W
VOLTAGE	12V/24V AC/DC
LUMEN	1000
LED CHIP	CREE LED COB
TEMP MIN.	-30°C
TEMP MAX.	+35 °C
CONSTRUCTION	Brass
COLOUR	Black Powder-Coated
BEAM ANGLE	30 Degrees
IP RATING	IP68
COLOUR OUTPUT	Warm White 3000K

PRODUCT CODE NL-SL-25W



BOX CONTENTS

- 25W Spotlight
- Ground Spike
- 2W Glare-Guard
- 2M Link Cable
- Instructions

MOUNTING OPTIONS

Weighted Mounting Base	NL-WB
Mounting Base	NL-MB
Ground Stake	NL-GS
Wall Mounting Bracket	NL-WL
Tree Bracket	NL-TB
Extension Pole	NL-EP



NITELUX / 06

MOUNTING OPTIONS

STEP 1

SNAP ON AND GO

APPLICATION

Made from tough high impact ABS plastic you can choose 1 of 5 mounting bases for every eventuality. Simply snaps into place without the need for tools using a cleverly designed interlocking fitment.

THE FINAL TOUCH

With a user-friendly design, you can snap on different bases effortlessly, allowing you to switch between all 5 mounting options in seconds.

This quick & secure mechanism ensures that your lights are always perfectly positioned to showcase your garden's best features. No tools, no fuss – just a smooth and hassle-free experience that lets you easily customise your setup.



12V

NO TOOLS NEEDED

NO ELECTRICIAN NEEDED

NITELUX / 07



SPOTLIGHTS

MOUNTING OPTIONS

STEP 1



PRODUCT: NL-GS

GROUND SPIKE

Use in soft ground
Black

TOUGHENED PLASTIC



PRODUCT: NL-TB

TREE BRACKET

Small tree branches, poles
Black

TOUGHENED PLASTIC



PRODUCT: NL-WL

WALL MOUNT

Mount onto walls / fences /
beams

TOUGHENED PLASTIC



PRODUCT: NL-MB

MOUNTING BASE

Mount on hard ground /
garden beds

TOUGHENED PLASTIC



PRODUCT: NL-WB

GROUND SPIKE

Use in soft ground
Black

TOUGHENED PLASTIC



PRODUCT: NL-EP

EXTENSION POLE

Use in soft ground
Black

TOUGHENED PLASTIC

UPLIGHTS

STEP 1

IP68: OUR UPLIGHTS ARE TESTED TO A DEPTH OF 4M IN WATER

LIGHT YOUR WAY

These elegant & sophisticated, flush-mounted Uplights are made from 304 stainless steel, allowing them to withstand extreme change in temperatures and weather.

- Toughened stepped glass
- 304 stainless steel body
- Branded Cree led chip
- In ground shroud
- HO5RN-F cable
- Quick change IP68 connector

AVAILABLE SIZES

- 0.3W
- 2W
- 4W
- 12W
- 25W
- 55W

There is also a complete range of Cables, Adapters & Transformers all are manufactured to the IP67/68 specification.

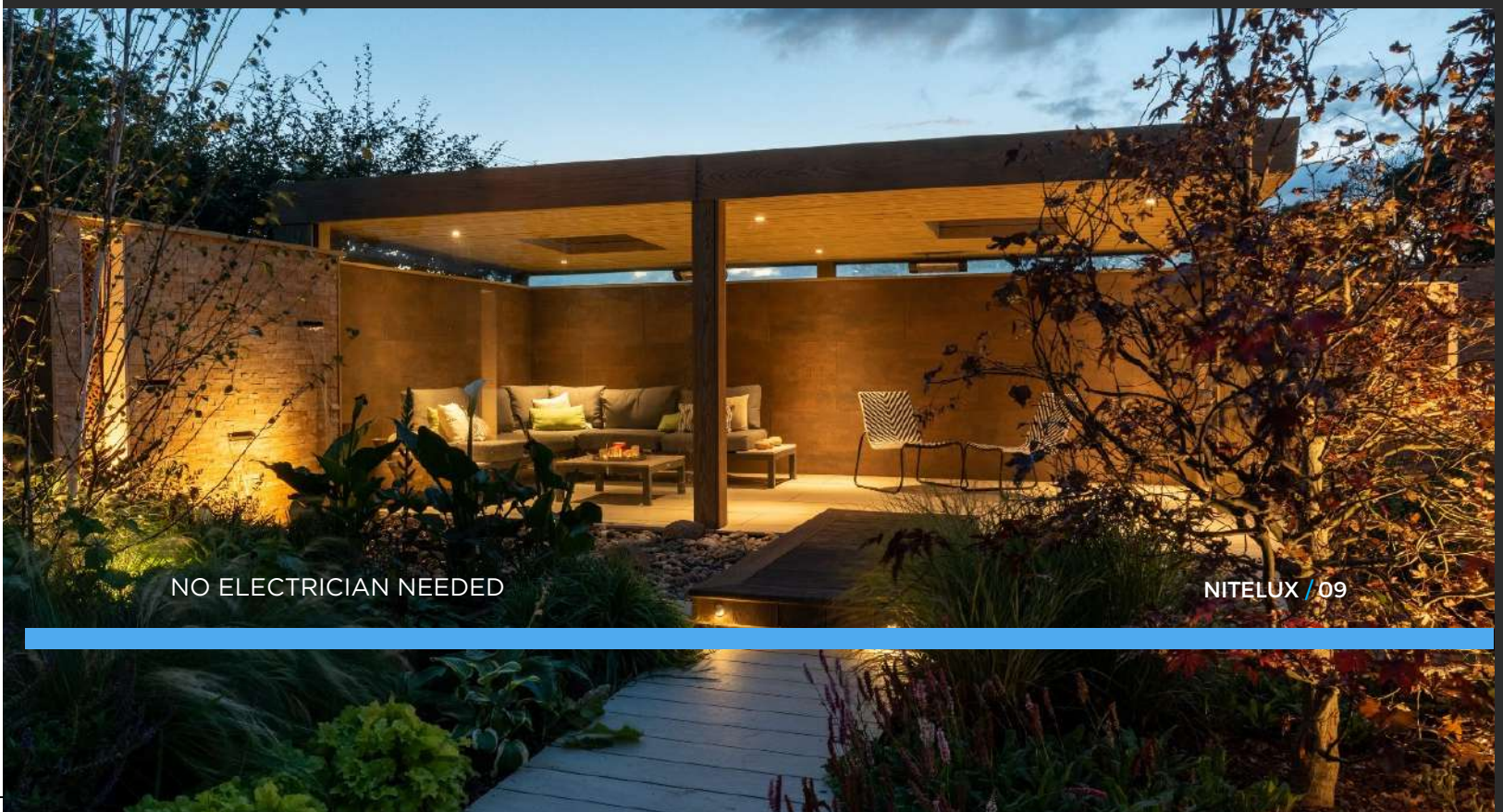


12V

NO TOOLS NEEDED

NO ELECTRICIAN NEEDED

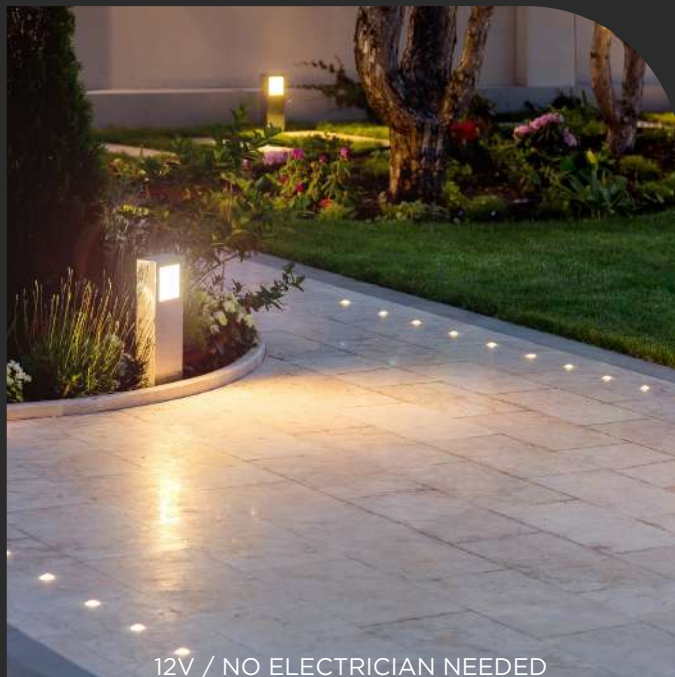
NITELUX / 09



UPLIGHTS

0.3W UPLIGHT

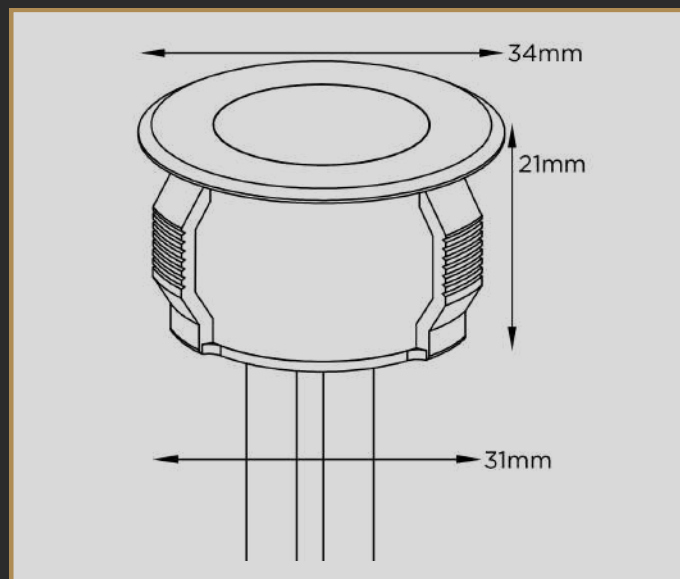
STEP 1



FITTED WITH 2M 12V HO5RN-F CABLE

WATTAGE	0.3W
VOLTAGE	12V/24V AC/DC
LUMEN	4
LED CHIP	Sanan optoelectronics
TEMP MIN.	-30°C
TEMP MAX.	+35 °C
CONSTRUCTION	304 Stainless Steel
COLOUR	Steel
BEAM ANGLE	120 Degrees
IP RATING	IP67
COLOUR OUTPUT	Warm White 3000K

PRODUCT CODE NL-ML-03W

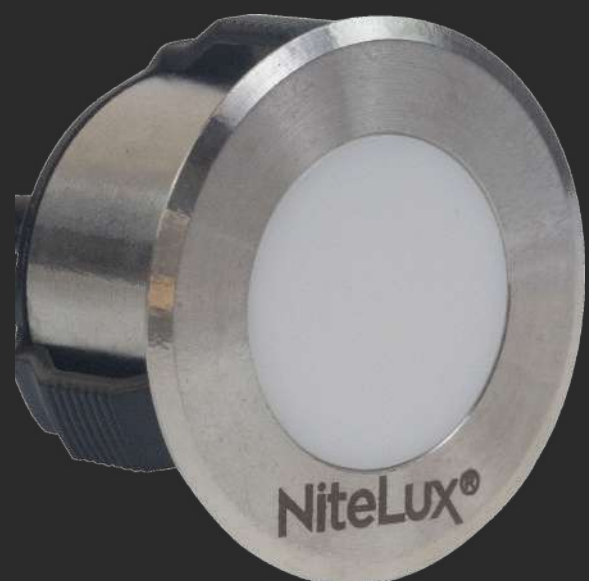


BOX CONTENTS

- 0.3W Uplight
- Instructions

USEFUL INFORMATION

- Hole size required : 30MM
- Fitted with 2 x 1M in out cable for fast quick installation
- IP68 Cable connectors



NITELUX / 10

UPLIGHTS

2W UPLIGHT

STEP 1



12V / NO ELECTRICIAN NEEDED

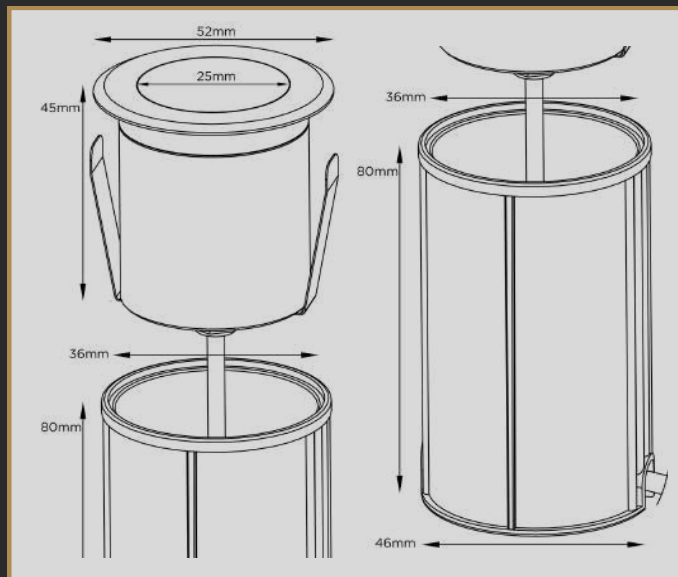
FITTED WITH 2M 12V HO5RN-F CABLE

WATTAGE	2W
VOLTAGE	12V/24V AC/DC
LUMEN	120
LED CHIP	CREE LED COB
TEMP MIN.	-30°C
TEMP MAX.	+35 °C
CONSTRUCTION	304 Stainless Steel
COLOUR	Steel
BEAM ANGLE	45 Degrees
IP RATING	IP68
COLOUR OUTPUT	Warm White 3000K

PRODUCT CODE NL-UL-2W

BOX CONTENTS

- 2W Uplight
- Shroud
- Instructions



USEFUL INFORMATION

- Hole size required : 38MM
- Fitted with 2 x 1M in out cable for fast quick installation
- IP68 Cable connectors

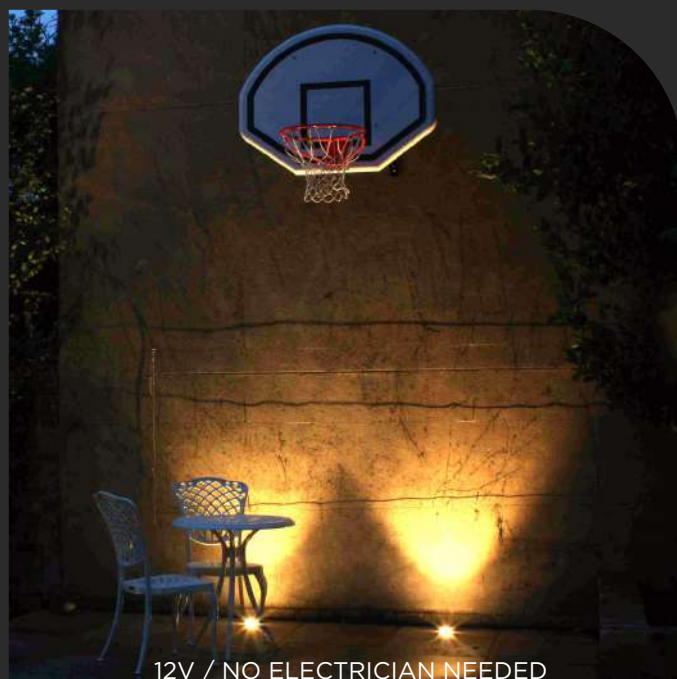


NITELUX /11

UPLIGHTS

4W UPLIGHT

STEP 1



12V / NO ELECTRICIAN NEEDED

FITTED WITH 2M 12V HO5RN-F CABLE

WATTAGE	4W
VOLTAGE	12V/24V AC/DC
LUMEN	260
LED CHIP	CREE LED COB
TEMP MIN.	-30°C
TEMP MAX.	+35 °C
CONSTRUCTION	304 Stainless Steel
COLOUR	Steel
BEAM ANGLE	45 Degrees
IP RATING	IP68
COLOUR OUTPUT	Warm White 3000K

PRODUCT CODE NL-UL-4W



BOX CONTENTS

- 4W Uplight
- Shroud
- Instructions
- 2M Link Cable

USEFUL INFORMATION

- Hole size required : 65MM
- IP68 Cable connectors



NITELUX /12

UPLIGHTS

12W UPLIGHT

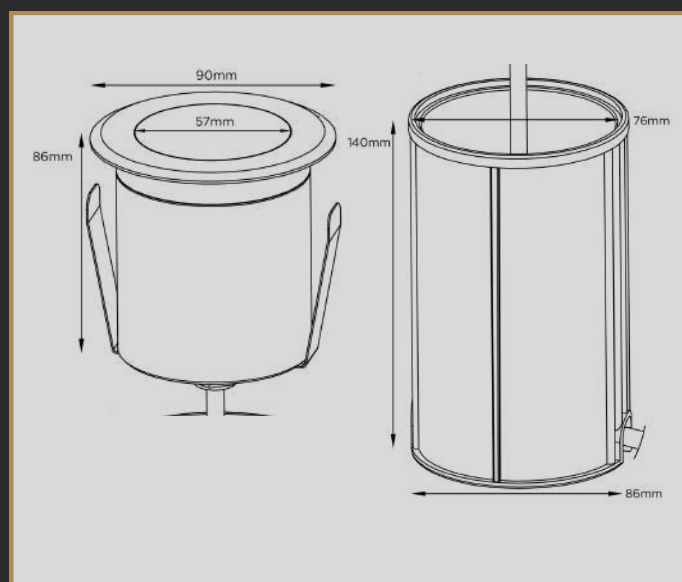
STEP 1



FITTED WITH 2M 12V HO5RN-F CABLE

WATTAGE	12W
VOLTAGE	12V/24V AC/DC
LUMEN	700
LED CHIP	CREE LED COB
TEMP MIN.	-30°C
TEMP MAX.	+35 °C
CONSTRUCTION	304 Stainless Steel
COLOUR	Steel
BEAM ANGLE	45 Degrees
IP RATING	IP68
COLOUR OUTPUT	Warm White 3000K

PRODUCT CODE NL-UL-12W

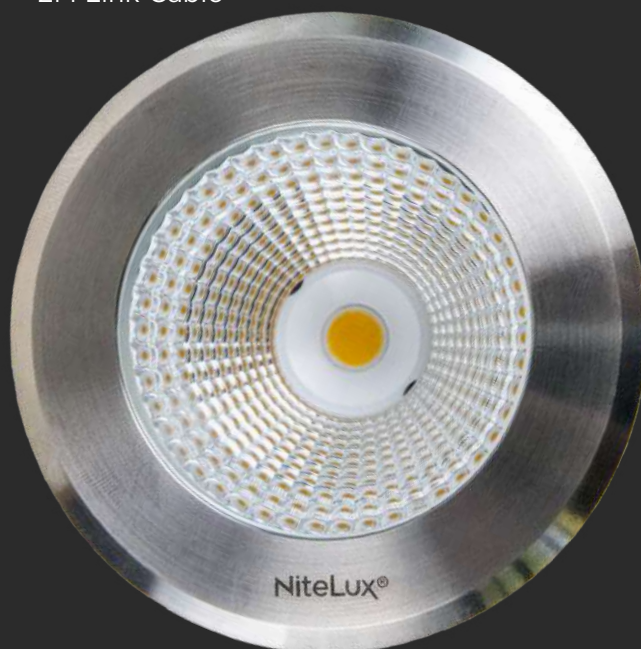


BOX CONTENTS

- 12W Uplight
- Shroud
- Instructions
- 2M Link Cable

USEFUL INFORMATION

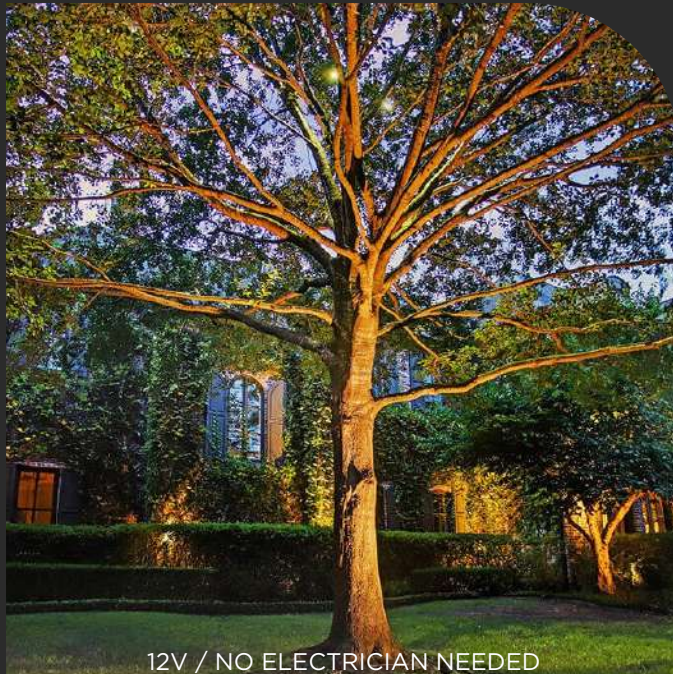
- Hole size required : 80MM/82MM/85MM
- IP68 Cable connectors



UPLIGHTS

25W UPLIGHT

STEP 1

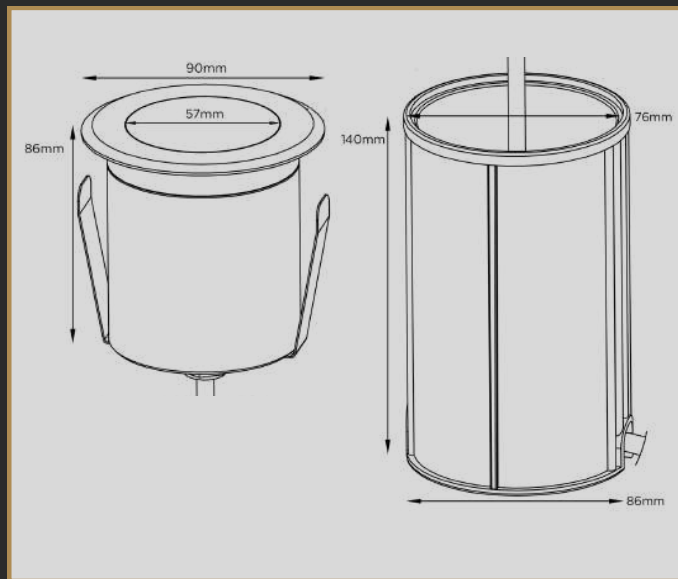


12V / NO ELECTRICIAN NEEDED

FITTED WITH 2M 12V HO5RN-F CABLE

WATTAGE	25W
VOLTAGE	12V/24V AC/DC
LUMEN	1000
LED CHIP	CREE LED COB
TEMP MIN.	-30°C
TEMP MAX.	+35 °C
CONSTRUCTION	304 Stainless Steel
COLOUR	Steel
BEAM ANGLE	45 Degrees
IP RATING	IP68
COLOUR OUTPUT	Warm White 3000K

PRODUCT CODE NL-UL-25W

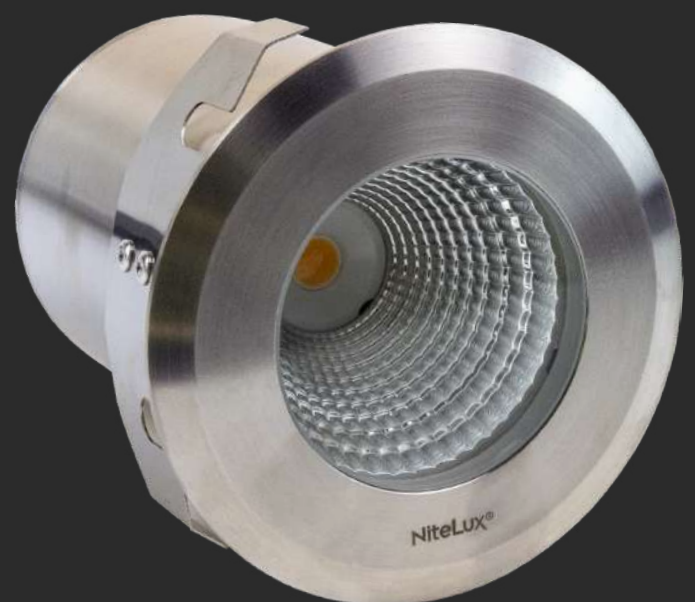


BOX CONTENTS

- 25W Uplight
- Shroud
- Instructions
- 2M Link Cable

USEFUL INFORMATION

- Hole size required : 91MM
- IP68 Cable connectors



NITELUX /14

UPLIGHTS

55W UPLIGHT

STEP 1



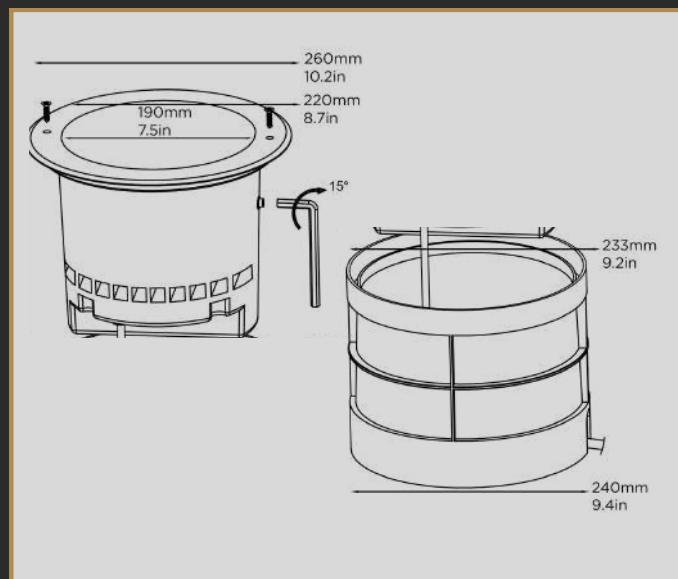
12V / NO ELECTRICIAN NEEDED

FITTED WITH 2M 12V HO5RN-F CABLE

WATTAGE	55W
VOLTAGE	12V/24V AC/DC
LUMEN	2800
LED CHIP	CREE LED COB
TEMP MIN.	-30°C
TEMP MAX.	+35 °C
CONSTRUCTION	304 Stainless Steel
COLOUR	Steel
BEAM ANGLE	60 Degrees
IP RATING	IP68
COLOUR OUTPUT	Warm White 3000K

PRODUCT CODE

NL-UL-55W



BOX CONTENTS

- 55W Uplight
- Shroud
- Instructions
- 2M Link Cable



USEFUL INFORMATION

- Hole size required : 240MM
- IP68 Cable connectors



NITELUX /15

FLOOD LIGHTS

STEP 1

FOR AREAS THAT NEED A GREATER IMPACT

HIGH QUALITY CONSTRUCTION

These surface Flood Lights are built from aluminium (powder-coated, grey). Allowing it to withstand extreme change in temperature and weather.

- Lens rated at 300KG
- Branded Sanan Optoelectronics LED chip
- Finned-body for heat distribution
- HO5RN-F cable
- Quick change IP68 connector
- Rated at IP68

AVAILABLE SIZE

- 55W

There is also a complete range of Cables, Adapters & Transformers all are manufactured to the IP68 specification.



12V

NO TOOLS NEEDED



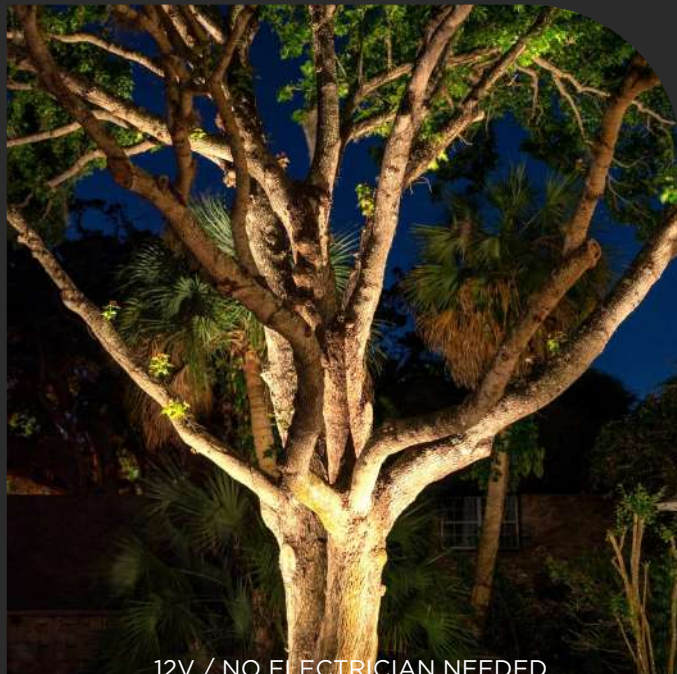
NO ELECTRICIAN NEEDED

NITELUX / 16

FLOOD LIGHTS

55W FLOOD LIGHT

STEP 1



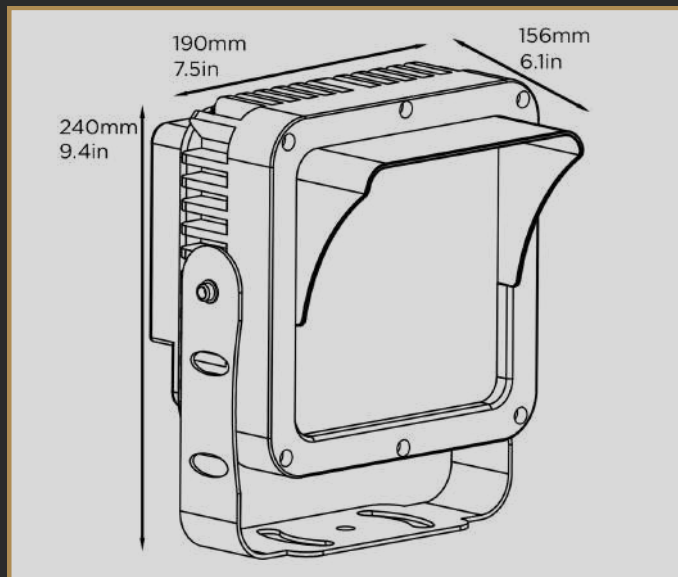
12V / NO ELECTRICIAN NEEDED

FITTED WITH 2M 12V HO5RN-F CABLE

WATTAGE	55W
VOLTAGE	12V/24V AC/DC
LUMEN	2800
LED CHIP	Sanan Optoelectronics
TEMP MIN.	-30°C
TEMP MAX.	+35 °C
CONSTRUCTION	Aluminium
COLOUR	Grey
BEAM ANGLE	60 Degrees
IP RATING	IP68
COLOUR OUTPUT	Warm White 3000K

PRODUCT CODE

NL-UL-55W



BOX CONTENTS

- 55W Uplight
- Instructions
- 2M Link Cable



USEFUL INFORMATION

- Comes with bracket for wall/ground mounting
- Finned-body for efficient heat distribution
- Lens rated at 300KG
- IP68 Cable connectors

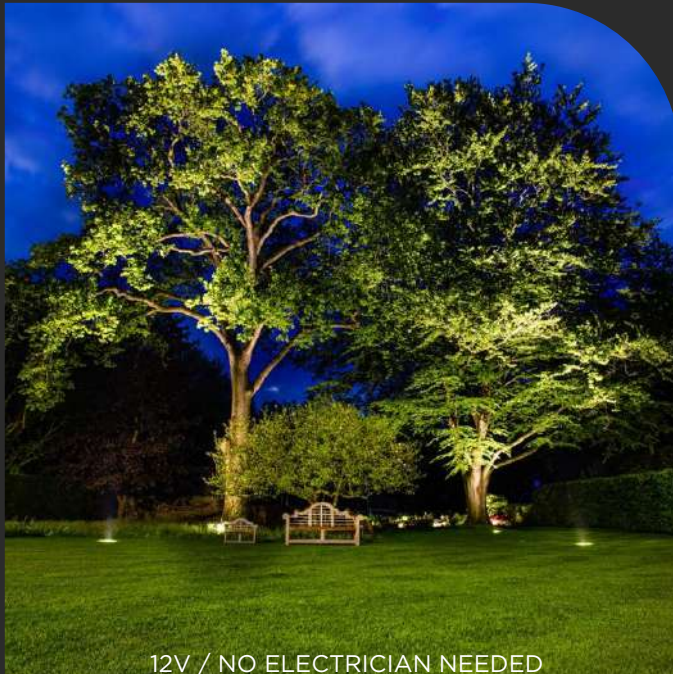


NITELUX /17

UPLIGHTS

55W UPLIGHT

STEP 1

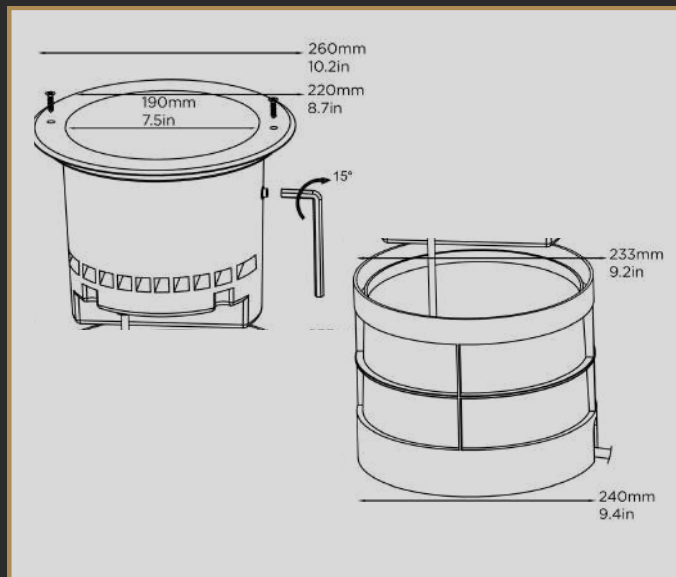


12V / NO ELECTRICIAN NEEDED

FITTED WITH 2M 12V HO5RN-F CABLE

WATTAGE	55W
VOLTAGE	12V/24V AC/DC
LUMEN	2800
LED CHIP	CREE LED COB
TEMP MIN.	-30°C
TEMP MAX.	+35 °C
CONSTRUCTION	304 Stainless Steel
COLOUR	Steel
BEAM ANGLE	60 Degrees
IP RATING	IP68
COLOUR OUTPUT	Warm White 3000K

PRODUCT CODE NL-UL-55W



BOX CONTENTS

- 55W Uplight
- Shroud
- 2m Link Cable
- Instructions



USEFUL INFORMATION

- Hole size required : 240MM
- IP68 Cable connectors



NITELUX /18

STEP LIGHTS

STEP 1

STEP INTO THE LIGHT

HIGH QUALITY CONSTRUCTION

These elegant & sophisticated flush and surface mounted step lights are made from 304 stainless steel in a brushed finish, allowing them to withstand extreme change in temperatures and weather.

- Toughened glass
- Branded Cree/Samsung led chip
- Stainless steel body for heat distribution
- HO5RN-F cable
- In ground shroud where required
- Quick change IP68 connector

STEP LIGHT RANGE

- 2W Flush-Mounted Vertical Step Light
- 6W Flush-Mounted Vertical Step Light
- 2W Flush-Mounted Horizontal Step Light
- 3W Surface Step Light: Black
- 3W Surface Step Light: Stainless Steel

There is also a complete range of Cables, Adapters & Transformers all are manufactured to the IP68 specification.



12V

NO TOOLS NEEDED



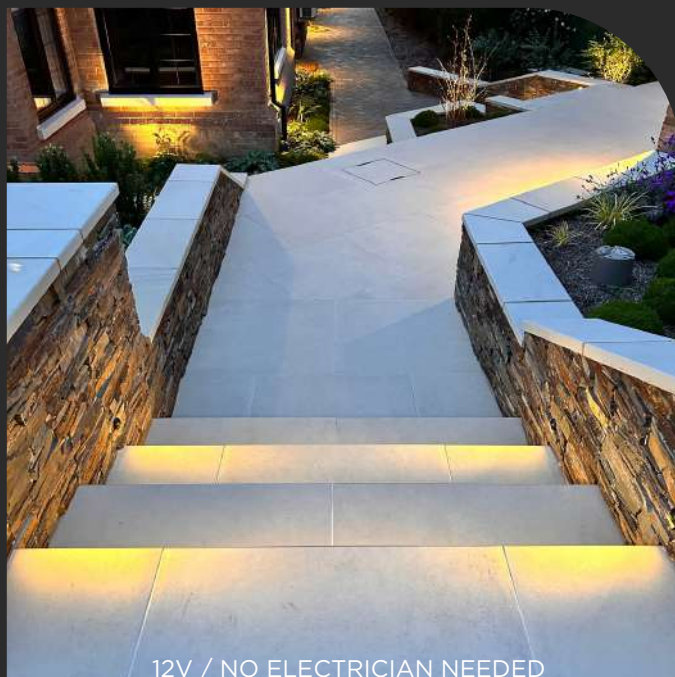
NO ELECTRICIAN NEEDED

NITELUX / 19

STEP LIGHTS

2W VERTICAL EYELID

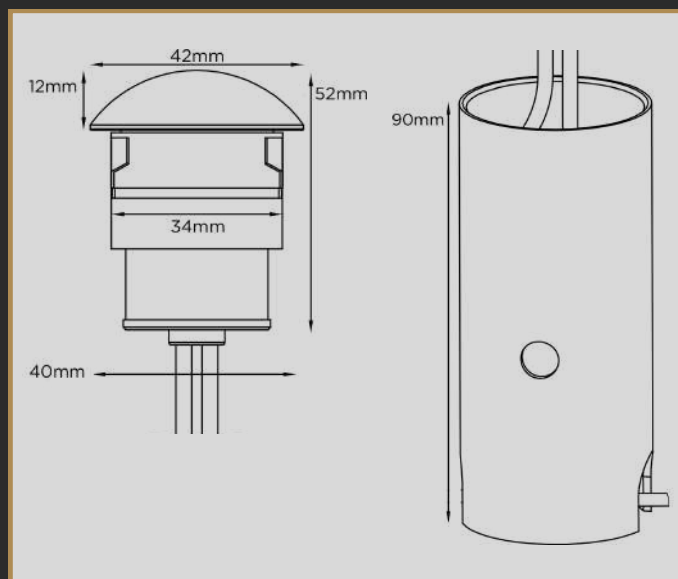
STEP 1



FITTED WITH 2M 12V HO5RN-F CABLE

WATTAGE	2W
VOLTAGE	12V/24V AC/DC
LUMEN	100
LED CHIP	CREE LED COB
TEMP MIN.	-30°C
TEMP MAX.	+35 °C
CONSTRUCTION	304 Stainless Steel
COLOUR	Steel
BEAM ANGLE	120 Degrees
IP RATING	IP67
COLOUR OUTPUT	Warm White 3000K

PRODUCT CODE NL-2W-EL



BOX CONTENTS

- 2W Steplight
- Shroud
- 2 x 1M Cable
- Instructions

USEFUL INFORMATION

- Hole size required : 38MM
- Fitted with 2 x 1M in/out cable for quick installation
- IP68 Cable connectors
- Recommended mounting height 120mm



NITELUX / 20

STEP LIGHTS

6W VERTICAL EYELID

STEP 1

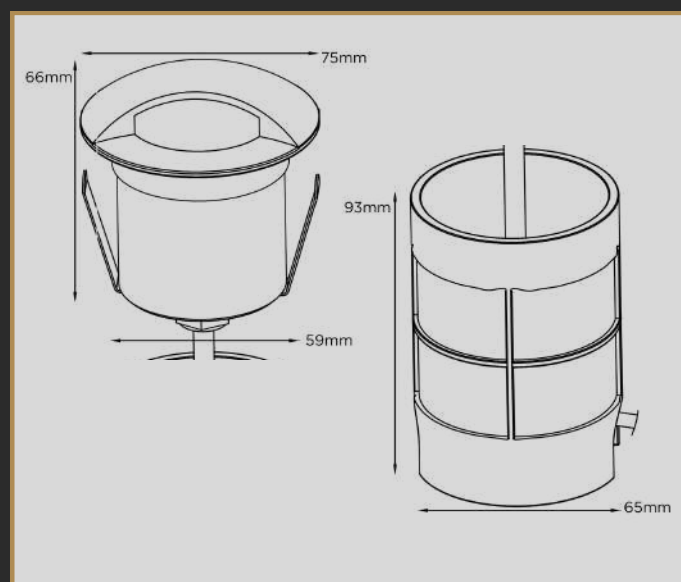


12V / NO ELECTRICIAN NEEDED

FITTED WITH 2M 12V HO5RN-F CABLE

WATTAGE	6W
VOLTAGE	12V/24V AC/DC
LUMEN	300
LED CHIP	CREE LED COB
TEMP MIN.	-30°C
TEMP MAX.	+35 °C
CONSTRUCTION	304 Stainless Steel
COLOUR	Steel
BEAM ANGLE	120 Degrees
IP RATING	IP68
COLOUR OUTPUT	Warm White 3000K

PRODUCT CODE NL-EL-6W



BOX CONTENTS

- 6W Uplight
- Shroud
- 2M Link Cable
- Instructions

USEFUL INFORMATION

- Cut out hole diameter 65MM
- Fitted with 2M cable
- IP68 Cable connectors
- Recommended mounting height: 120MM



NITELUX / 21

STEP LIGHTS

2W HORIZONTAL

STEP 1



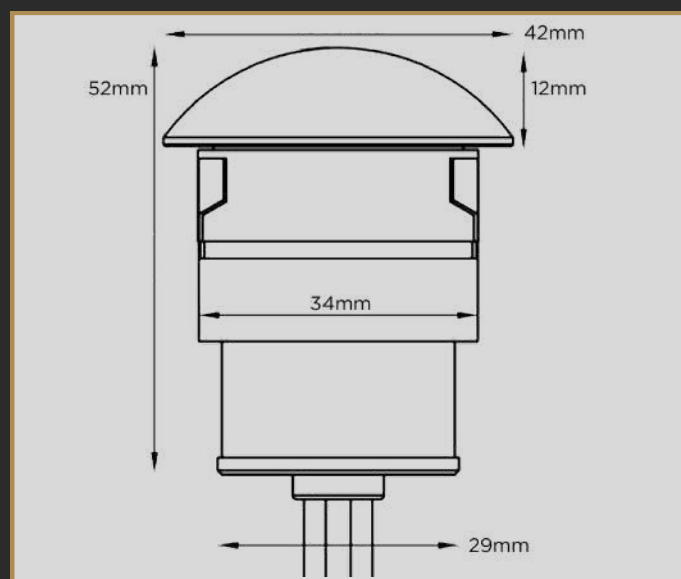
FITTED WITH 2M 12V HO5RN-F CABLE

WATTAGE	2W
VOLTAGE	12V AC / 12V-24V DC
LUMEN	100
LED CHIP	CREE LED COB
TEMP MIN.	-30°C
TEMP MAX.	+35 °C
CONSTRUCTION	304 Stainless Steel
COLOUR	Black
BEAM ANGLE	120 Degrees
IP RATING	IP67
COLOUR OUTPUT	3000K

PRODUCT CODE NL-2W-1FV

BOX CONTENTS

- 2W Step light
- Fixing Shroud
- 2 X 1M Cable
- Instructions



USEFUL INFORMATION

- Cut out hole diameter 38mm
- Fitted with 2 x 1M in out cable for quick installation
- IP68 Cable connectors

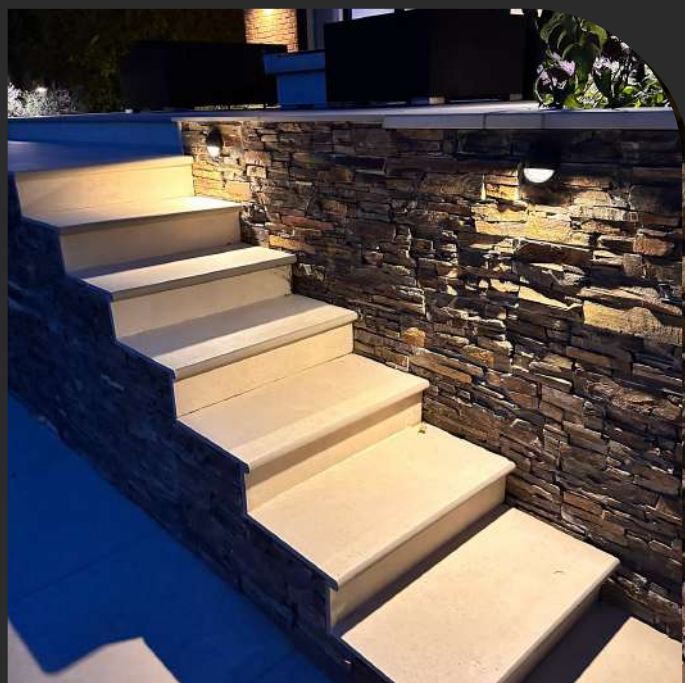


NITELUX / 22

STEP LIGHTS

3W SURFACE LIGHT

STEP 1



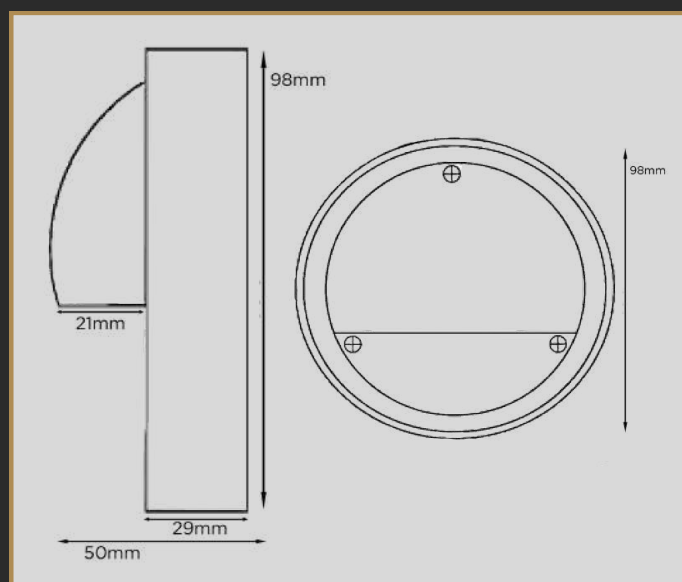
FITTED WITH 2M 12V HO5RN-F CABLE

WATTAGE	3W
VOLTAGE	12V AC / 12V-24V DC
LUMEN	120
LED CHIP	SAMSUNG
TEMP MIN.	-30°C
TEMP MAX.	+35 °C
CONSTRUCTION	304 Stainless Steel
COLOUR	Steel
BEAM ANGLE	120 Degrees
IP RATING	IP65
COLOUR OUTPUT	3000K

PRODUCT CODE NL-3W-SS

BOX CONTENTS

- 3W Light
- 1M Cable
- Fixings Pack
- Instructions



USEFUL INFORMATION

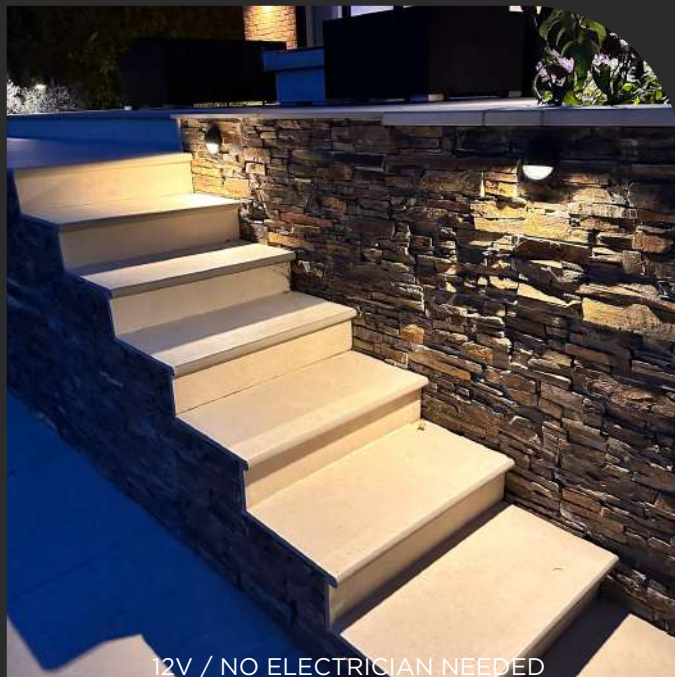
- Can be used as a wall light or step light
- IP68 Cable connectors



STEP LIGHTS

3W SURFACE LIGHT

STEP 1

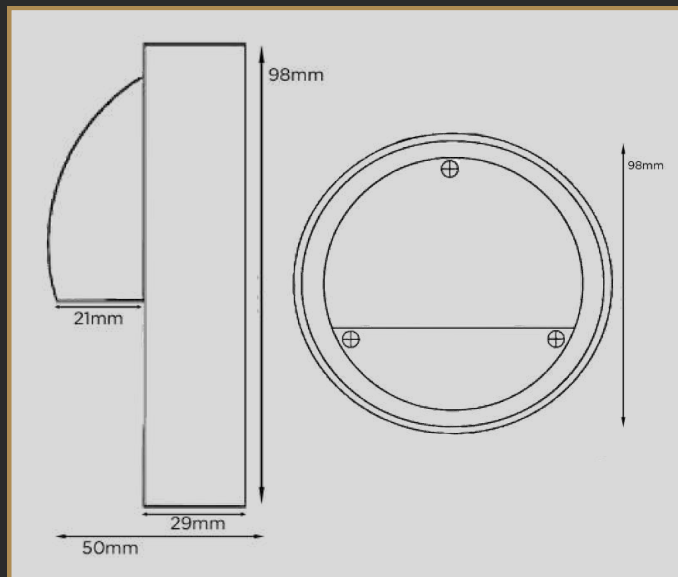


12V / NO ELECTRICIAN NEEDED

FITTED WITH 2M 12V HO5RN CABLE

WATTAGE	3W
VOLTAGE	12V AC / 12V-24V DC
LUMEN	120
LED CHIP	SAMSUNG
TEMP MIN.	-30°C
TEMP MAX.	+35 °C
CONSTRUCTION	304 Stainless Steel
COLOUR	Steel
BEAM ANGLE	120 Degrees
IP RATING	IP65
COLOUR OUTPUT	3000K

PRODUCT CODE NL-3W-BS



BOX CONTENTS

- 3W Light
- 1M Cable
- Fixings Pack
- Instructions

USEFUL INFORMATION

- Can be used as a wall light or step light
- IP68 Cable connectors



NITELUX / 24

PATH & BOLLARD

STEP 1

FOLLOW THE LIGHT

LIGHT YOUR WAY

NiteLux Path Lights are your garden's gentle guides, casting a warm and inviting glow along pathways and walkways. These elegantly designed lights not only ensure safe navigation but also add a touch of enchantment to your outdoor spaces. Crafted with precision and innovation, NiteLux Path Lights are built to withstand the elements while seamlessly blending with your landscape.

PRODUCTS STYLES

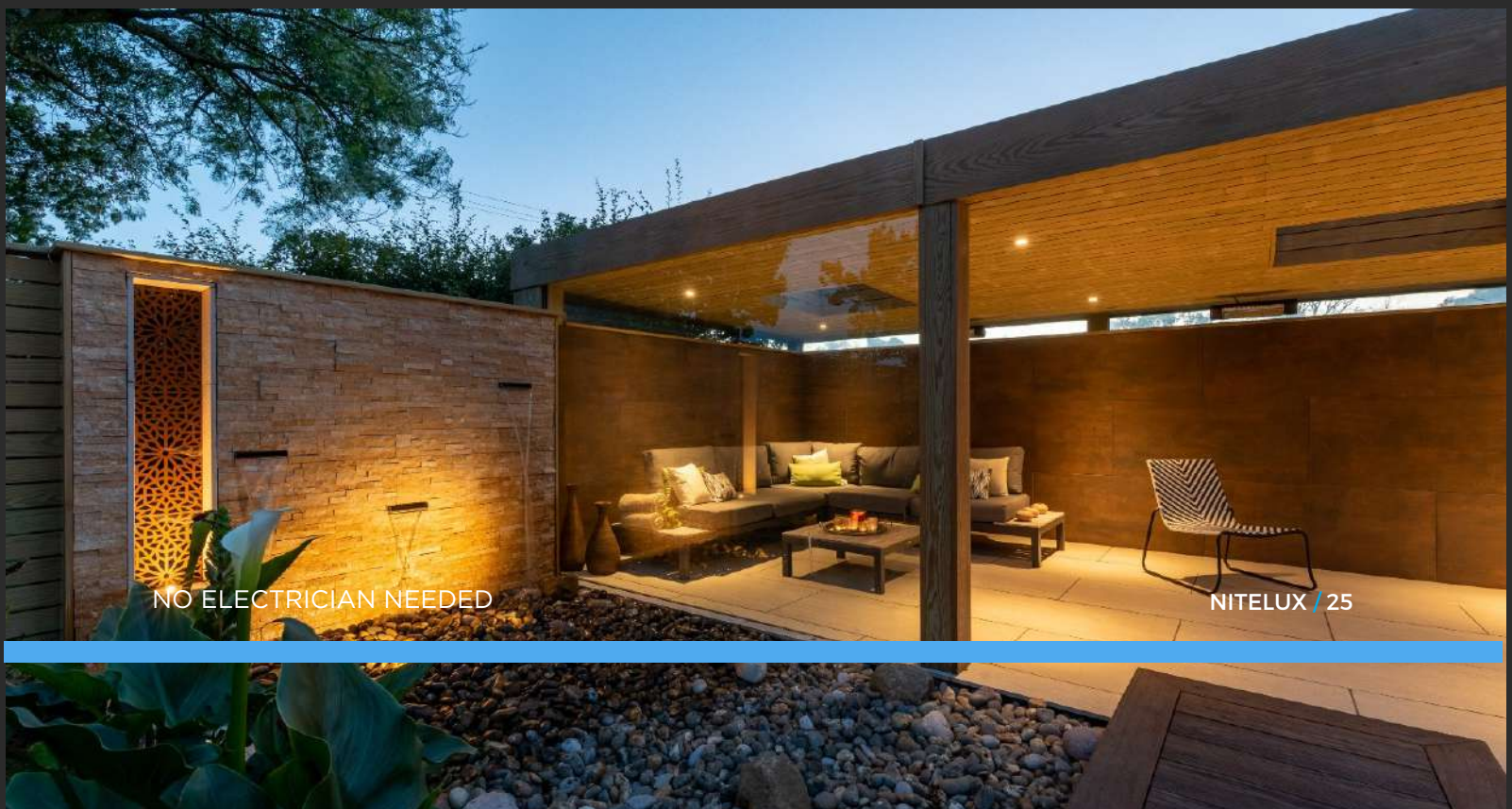
- 4W Dome-Head Path Light
- 2W Twig Light
- 3W Angled Path Light
- 9W Contemporary Bollard Light

There is also a complete range of Cables, Adapters, & Transformers all are manufactured to the IP68 specification.



12V

NO TOOLS NEEDED



NO ELECTRICIAN NEEDED

NITELUX / 25

PATH LIGHTS

4W DOME LIGHT

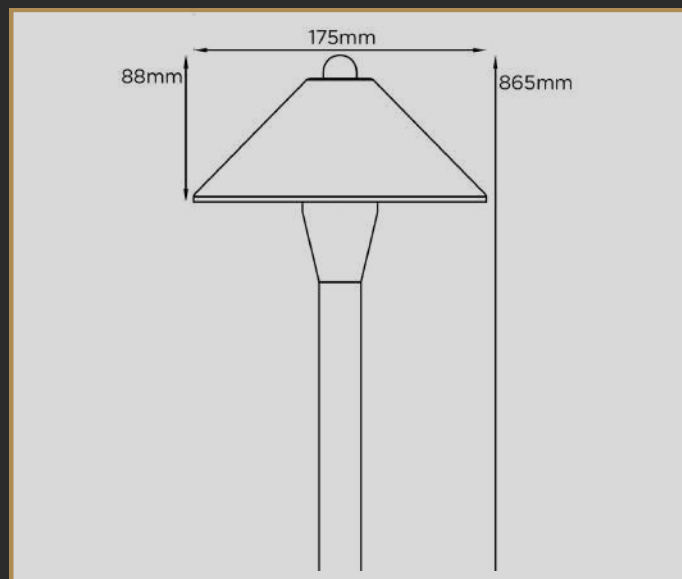
STEP 1



FITTED WITH 2M 12V HO5RN-F CABLE

WATTAGE	4W
VOLTAGE	12V AC / 12V-24V DC
LUMEN	140
LED CHIP	CREE LED COB
TEMP MIN.	-30°C
TEMP MAX.	+35 °C
CONSTRUCTION	S/Steel & Aluminium
COLOUR	Rustic Brown
BEAM ANGLE	360 Degrees
IP RATING	IP65
COLOUR OUTPUT	3000K

PRODUCT CODE NL-4W-DL



BOX CONTENTS

- 4W Light
- 2M Cable
- Instructions



USEFUL INFORMATION

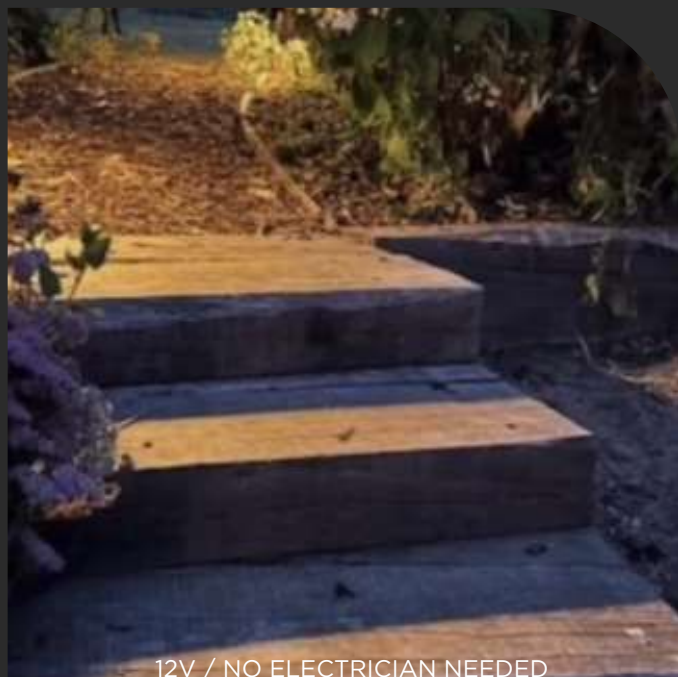
- No glare light source
- IP68 Cable connectors
- Powder coated stainless steel shaft for durability



PATH LIGHTS

2W TWIG LIGHT

STEP 1



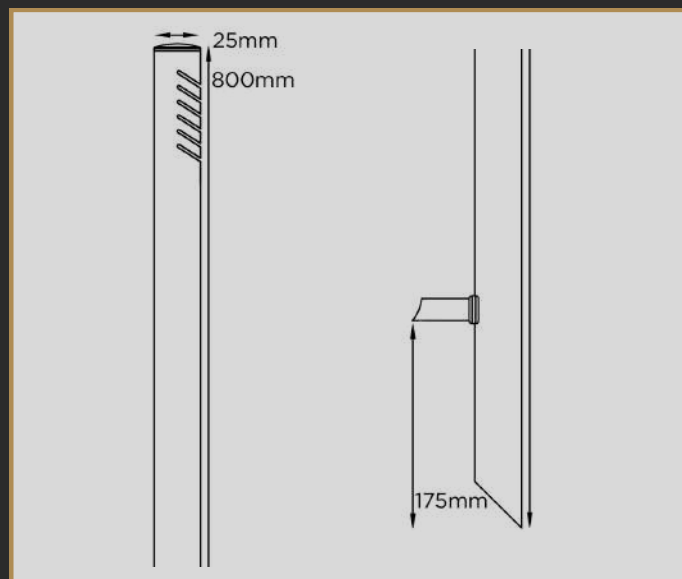
FITTED WITH 2M 12V HO5RN-F CABLE

WATTAGE	2W
VOLTAGE	12V AC / 12V-24V DC
LUMEN	40
LED CHIP	Sanan Optoelectronics
TEMP MIN.	-30°C
TEMP MAX.	+35 °C
CONSTRUCTION	Aluminium
COLOUR	Rustic Brown
BEAM ANGLE	120 Degrees
IP RATING	IP65
COLOUR OUTPUT	3000K

PRODUCT CODE NL-TL-2W

BOX CONTENTS

- 2W Light
- 2M Cable
- Instructions



USEFUL INFORMATION

- G4 lamp can be changed if required
- Frosted glass lens
- IP68 Cable connectors



NITELUX / 27

PATH LIGHTS

3W ANGLED BOLLARD LIGHT

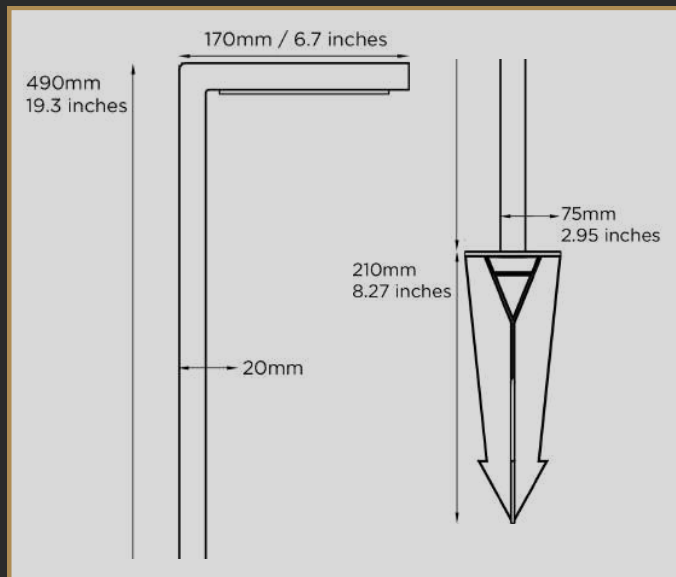
STEP 1



FITTED WITH 2M 12V HO5RN-F CABLE

WATTAGE	3W
VOLTAGE	12V AC / 12V-24V DC
LUMEN	60
LED CHIP	Sanan Optoelectronics
TEMP MIN.	-30°C
TEMP MAX.	+35 °C
CONSTRUCTION	Aluminium
COLOUR	Black Powder-Coated
BEAM ANGLE	340 Degrees
IP RATING	IP65
COLOUR OUTPUT	3000K

PRODUCT CODE NL-FB-3W



BOX CONTENTS

- 3W Light
- 2M Cable
- Instructions



USEFUL INFORMATION

- No glare light source
- IP68 Cable connectors



NITELUX / 28

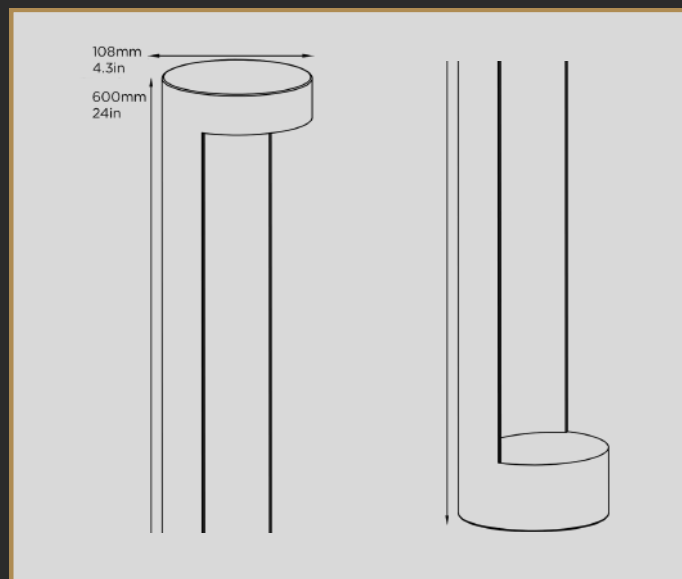
PATH LIGHTS

9W BOLLARD LIGHT

STEP 1



12V / NO ELECTRICIAN NEEDED



USEFUL INFORMATION

- IP68 Cable connectors
- No glare light source
- Comes with concrete fixing kit



FITTED WITH 2M 12V HO5RN-F CABLE

WATTAGE	9W
VOLTAGE	12V AC / 12V-24V DC
LUMEN	380
LED CHIP	CREE COB
TEMP MIN.	-30°C
TEMP MAX.	+35 °C
CONSTRUCTION	Aluminium
COLOUR	Black Powder-Coated
BEAM ANGLE	120 Degrees
IP RATING	IP65
COLOUR OUTPUT	3000K

PRODUCT CODE NL-BL-9W

BOX CONTENTS

- 9W Light
- 2M Cable
- Instructions



NITELUX / 29

DRIVE LIGHTS

STEP 1

DRIVE INTO THE LIGHT

MARKING THE WAY

These elegant flush & surface mounted step lights, are made in either 304 brushed-finish, stainless steel, or black powder-coated aluminium. Allowing them to withstand extreme change in temperatures & weather. Able to take extreme weights of up to 3 tonnes.

- Toughened glass
- Branded Cree/Bridgelux led chip
- Metal body for heat dissipation
- HO5RN-F cable
- In ground shroud if applicable
- Quick change IP68 connector
- Rated at 3 Tonnes

PRODUCTS STYLES

- 3W Surface-Mounted Drive Light: Stainless Steel
- 4W Surface-Mounted Drive Light: Black
- 5W Flush-Mounted Drive Light: Stainless Steel

There is also a complete range of Cables, Adapters, & Transformers. Manufactured to the IP68 specification.



12V

NO TOOLS NEEDED



NITELUX / 30

DRIVE LIGHTS

3W SURFACE LIGHT

STEP 1

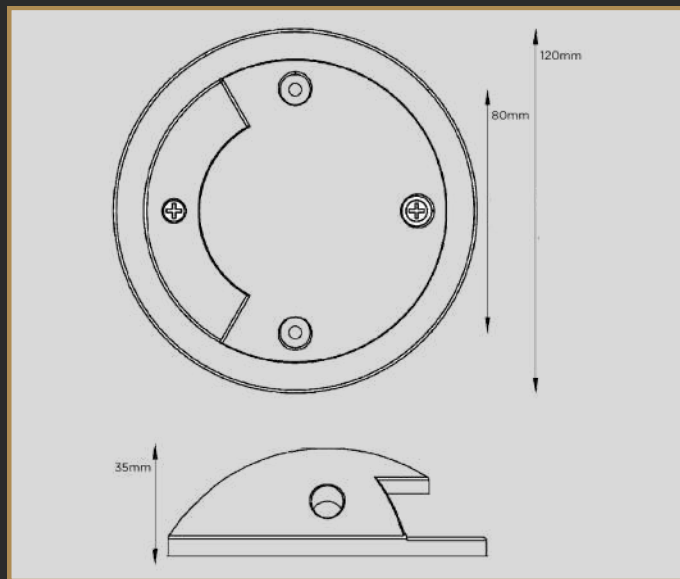


12V / NO ELECTRICIAN NEEDED

FITTED WITH 2M 12V HO5RN-F CABLE

WATTAGE	3W
VOLTAGE	12V AC / 12V-24V DC
LUMEN	240
LED CHIP	Bridgelux
TEMP MIN.	-30°C
TEMP MAX.	+35 °C
CONSTRUCTION	304 Stainless Steel
COLOUR	Steel
BEAM ANGLE	90 Degrees
IP RATING	IP67
COLOUR OUTPUT	3000K

PRODUCT CODE NL-3W-DL-S-SS



BOX CONTENTS

- 3W Light
- 2M Link Cable
- Fixings Pack
- Instructions



USEFUL INFORMATION

- IP68 Cable connectors
- Rated at 3 Tonnes
- Surface mounted for quick installation



NITELUX / 31

DRIVE LIGHTS

4W SURFACE LIGHT

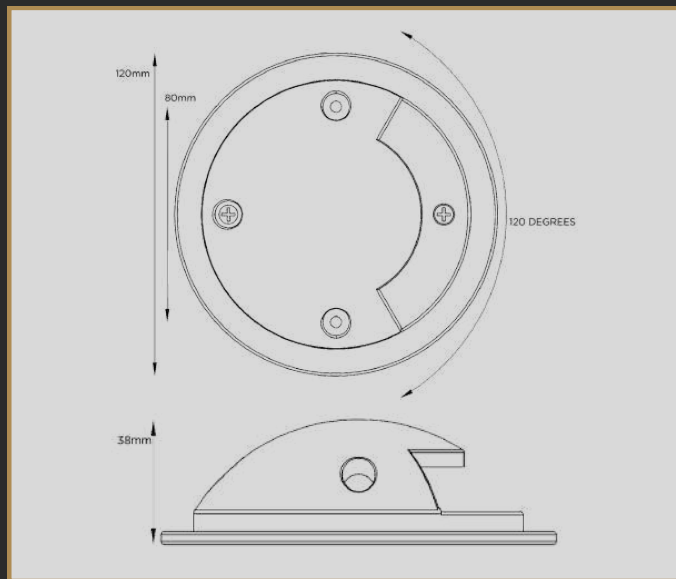
STEP 1



FITTED WITH 2M 12V HO5RN-F CABLE

WATTAGE	4W
VOLTAGE	12V AC / 12V-24V DC
LUMEN	240
LED CHIP	Bridgelux
TEMP MIN.	-30°C
TEMP MAX.	+35 °C
CONSTRUCTION	Aluminium
COLOUR	Black Powder-coated
BEAM ANGLE	90 Degrees
IP RATING	IP67
COLOUR OUTPUT	3000K

PRODUCT CODE NL-3W-DL-S



BOX CONTENTS

- 4W Light
- 2M Link Cable
- Fixings Pack
- Instructions

USEFUL INFORMATION

- IP68 Cable connectors
- Rated at 3 Tonnes
- Surface mounted for quick installation



NITELUX / 32

DRIVE LIGHTS

5W FLUSH LIGHT

STEP 1

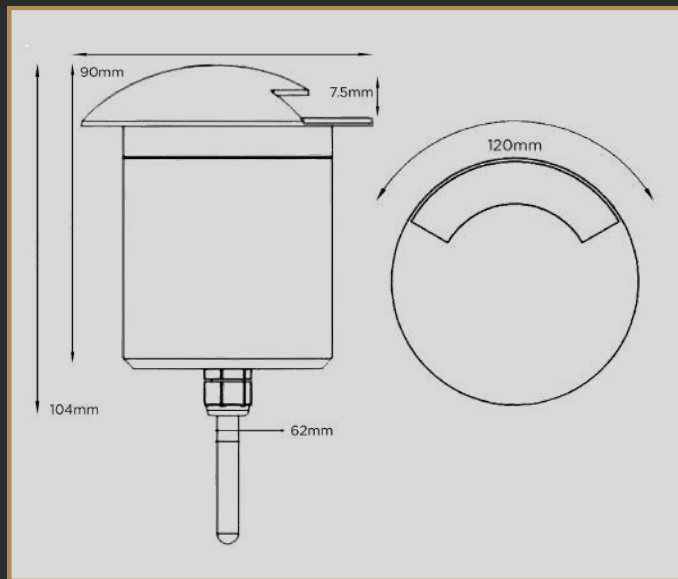


12V / NO ELECTRICIAN NEEDED

FITTED WITH 2M 12V HO5RN-F CABLE

WATTAGE	5W
VOLTAGE	12V AC / 12V-24V DC
LUMEN	140
LED CHIP	CREE LED COB
TEMP MIN.	-30°C
TEMP MAX.	+35 °C
CONSTRUCTION	304 Stainless Steel
COLOUR	Steel
BEAM ANGLE	90 Degrees
IP RATING	IP67
COLOUR OUTPUT	3000K

PRODUCT CODE NL-5W-1FV



BOX CONTENTS

- 5W Light
- 2M Cable
- In Ground Shroud
- Instructions

USEFUL INFORMATION

- HOLE DIAMETER REQUIRED: 65MM
- IP68 Cable connectors
- Rated at 3 Tonnes
- Flush mounted with no visible fixing screws



NITELUX / 33

MARKER LIGHTS

STEP 1

USED AS A GUIDING LIGHT / TO DEMARK & AREA / STEPS

USEFUL INFORMATION

These quick fit decking and marker lights are rated at IP67 and are made from 304 brushed stainless steel, allowing them to withstand extreme change, in temperatures and weather.

- Opaque lens
- Sanan Optoelectronics LED
- Stainless steel body for heat distribution
- Push fit for quicker installation
- In out leads for quicker installation
- Quick change IP68 connector

PRODUCTS STYLES

- 0.3W

There is also a complete range of Cables, Adapters & Transformers. Manufactured to the IP68 specification.



12V

NO TOOLS NEEDED

NO ELECTRICIAN NEEDED

NITELUX / 34



MARKER LIGHTS

0.3W DECKING

STEP 1



12V / NO ELECTRICIAN NEEDED

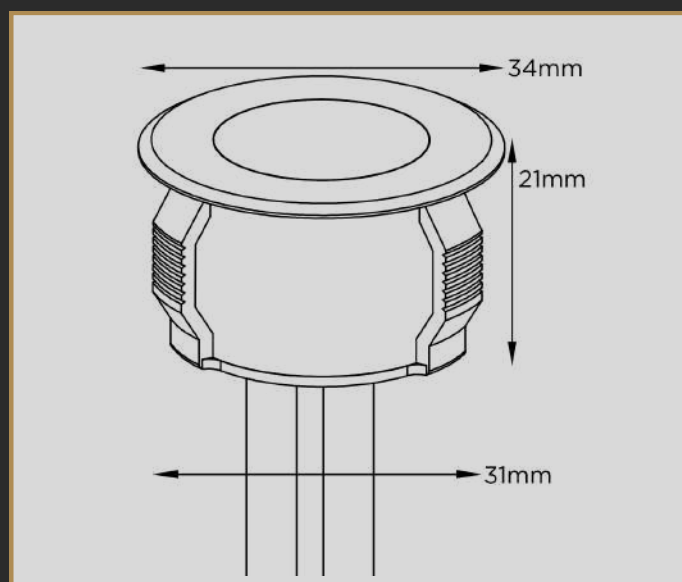
FITTED WITH 2M 12V HO5RN-F CABLE

WATTAGE	0.3W
VOLTAGE	12V AC / 12V-24V DC
LUMEN	4
LED CHIP	Sanan Optoelectronics
TEMP MIN.	-30°C
TEMP MAX.	+35 °C
CONSTRUCTION	304 Stainless Steel
COLOUR	Steel
BEAM ANGLE	120 Degrees
IP RATING	IP67
COLOUR OUTPUT	3000K

PRODUCT CODE NL-ML-0.3W

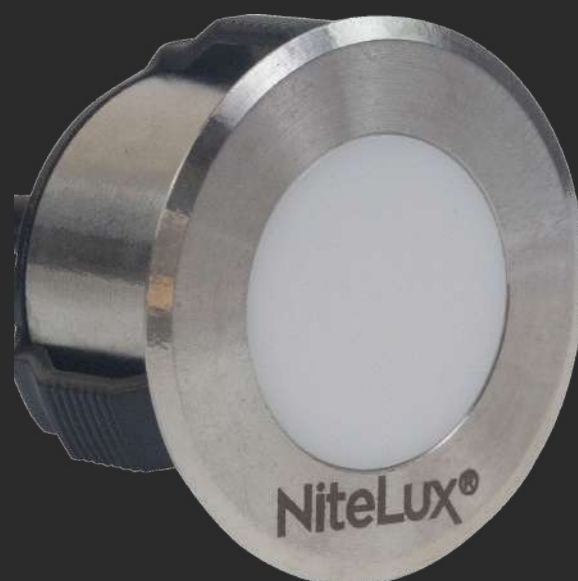
BOX CONTENTS

- 0.3W Light
- 2 x 1M Cable
- Instructions



USEFUL INFORMATION

- Cut out hole diameter 30mm
- Fitted with 2 x 1M in out cable for quick installation
- IP68 Cable connectors



NITELUX / 35

WALL LIGHTS

STEP 1

ELEGANT & EFFORTLESS

USEFUL INFORMATION

This stylish and compact up down wall light is made from powder-coated aluminium. Rated at IP65 compared to most wall light rated at IP44. Features a clever Louvre system, allowing you to have different angles of light from both the top and the bottom of the light.

PRODUCTS STYLES

- 6W Square
- 6W Round

APPLICATION

This stylish & durable design comes in 1/2 round or square. Providing a unique spread of up and down lighting. Being 12V means its perfect for fences or walls within a garden, where you don't want to use 230V wall lights.



12V

NO TOOLS NEEDED

NO ELECTRICIAN NEEDED

NITELUX / 36



WALL LIGHTS

6W SQUARE

STEP 1

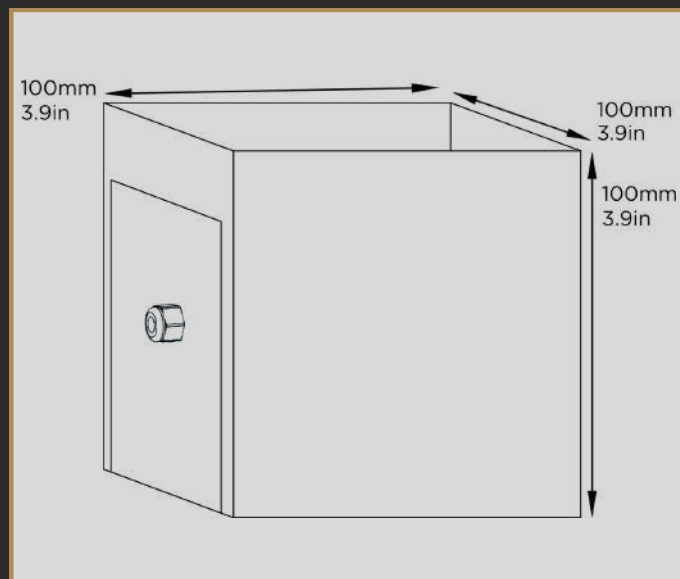


12V / NO ELECTRICIAN NEEDED

FITTED WITH 2M 12V HO5RN CABLE

WATTAGE	6W
VOLTAGE	12V/24V AC/DC
LUMEN	300
LED CHIP	Sanan Optoelectronics
TEMP MIN.	-30°C
TEMP MAX.	+35 °C
CONSTRUCTION	Alluminium
COLOUR	Black Powder-Coated
BEAM ANGLE	Adjustables
IP RATING	IP65
COLOUR OUTPUT	Warm White 3000K

PRODUCT CODE NL-WL-S-6W



BOX CONTENTS

- 6W Wall light
- Plugs
- Screws
- Instructions

USEFUL INFORMATION

- IP65 (most wall lights are IP44)
- Louvre system allows different angles for both top & bottom
- 300MM cable attached with IP68 connector



NITELUX / 37

WALL LIGHTS

6W ROUND

STEP 1

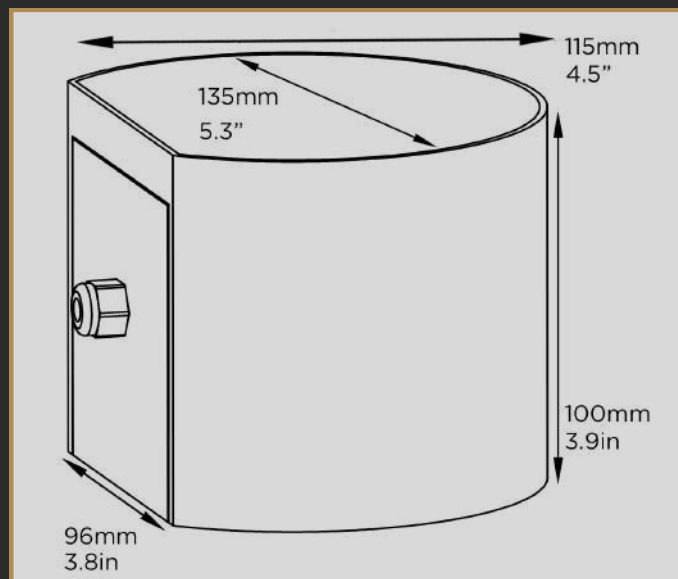


12V / NO ELECTRICIAN NEEDED

FITTED WITH 2M 12V HO5RN CABLE

WATTAGE	6W
VOLTAGE	12V/24V AC/DC
LUMEN	300
LED CHIP	Sanan Optoelectronics
TEMP MIN.	-30°C
TEMP MAX.	+35 °C
CONSTRUCTION	Alluminium
COLOUR	Black Powder-Coated
BEAM ANGLE	Adjustables
IP RATING	IP65
COLOUR OUTPUT	Warm White 3000K

PRODUCT CODE NL-WL-R-6W



BOX CONTENTS

- 6W Wall light
- Plugs
- Screws
- Instructions

USEFUL INFORMATION

- IP65 (most wall lights are IP44)
- Louvre system allows different angles for both top & bottom
- 300MM cable attached with IP68 connector



CONNECTORS

STEP 2

SIMPLICITY ITSELF

USEFUL INFORMATION

All Connectors are fitted with a IP68 connection on both ends, providing a linkable solution to extending garden lights. No need for time consuming manual cable terminations or junction boxes.

Seamlessly connects to the full NiteLux range of link Cables, Transformers, and Lights. Designed to cut down on installation time and provide a quick and easy way of extending an existing garden lighting system.



12V

NO TOOLS NEEDED

NO ELECTRICIAN NEEDED

NITELUX / 39



CONNECTORS

STEP 2

IP68 WEATHER RATING

T-PIECE

Simplifies your lighting setup by branching off from the main cable. Connecting multiple lights, while maintaining a clean & organised layout.



PRODUCT: NL-TC

3-WAY

Acts as a small lighting hub, allowing you to connect three lights in different directions from a single point.



PRODUCT: NL-3C

5-WAY

The big brother, allowing you to connect five lights in different directions from a single point.



PRODUCT: NL-5C



CABLES

STEP 2

IP68 WEATHER RATING

USEFUL INFORMATION

Comes with an IP68 push fit and screwed connection both ends providing a linkable solution to extending your garden lights without the need for time consuming manual cable terminations or junction boxes. Seamlessly connecting to the NiteLux range of Cables, Connectors, Transformers, & Lights.

STANDARD

1M, 2M, 5M, 10M

- 2 Core 1.0mm HO5RN-F
- INSULATION: RUBBER
- JACKET: NEOPRENE
- INSTALLATION BEND RADIUS: 15 X Diameter of Cable
- TEMPERATURE: -25°C - +60°

PRODUCT: NL-1M

PRODUCT: NL-2M

PRODUCT: NL-5M

PRODUCT: NL-10M



POWER LINK FOR LONGER RUNS

10M

- 2 Core 1.5mm HO5RN-F
- INSULATION: RUBBER
- JACKET: NEOPRENE
- INSTALLATION BEND RADIUS: 15 X Diameter of Cable
- TEMPERATURE: -25°C - +60°

PRODUCT: NL-10M-P



TRANSFORMERS

STEP 3

IP67 WEATHER RATING

USEFUL INFORMATION

Rated at IP67 which can be buried or screwed directly onto a mounting stake or wall. They come with an BS 13 AMP plug top which can be removed for a customised fitting (will require an electrician).

SIZES

- 12W
- 30W
- 60W
- 105W

PRODUCT: NL-TR-12

PRODUCT: NL-TR-30

PRODUCT: NL-TR-60

PRODUCT: NL-TR-105



ACCESSORIES

EXTRAS



PRODUCT: NL-WL-R-6W

EXTENSION POLE

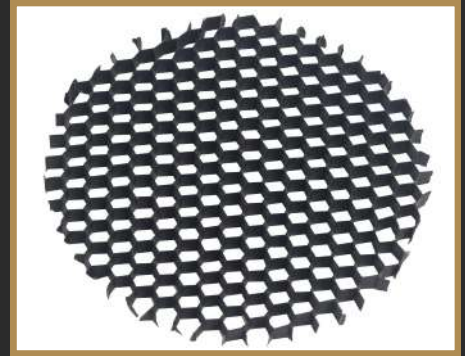
Clips between Spotlight & chosen mounting to increase height of the light fitting



GLARE GUARD

Compatible with all spotlights

2W	PRODUCT: NL-GS2
4W	PRODUCT: NL-GS4
9W	PRODUCT: NL-GS9
25W	PRODUCT: NL-GS25



HONEYCOMB GLARE GUARD

Use with uplights

2W	PRODUCT: NL-GG2W
4W	PRODUCT: NL-GG4W
9W	PRODUCT: NL-GG9W
25W	PRODUCT: NL-GG25W



PRODUCT: NL-CP

PEGS

Peg down cables. Toughened blade-serrated to grip soil.

Black X 20 PEGS



CONNECTOR ENDS

For making bespoke cables

FEMALE	PRODUCT: NL-F
MALE	PRODUCT: NL-M



PRODUCT: AK

ADJUSTABLE KNUCKLE

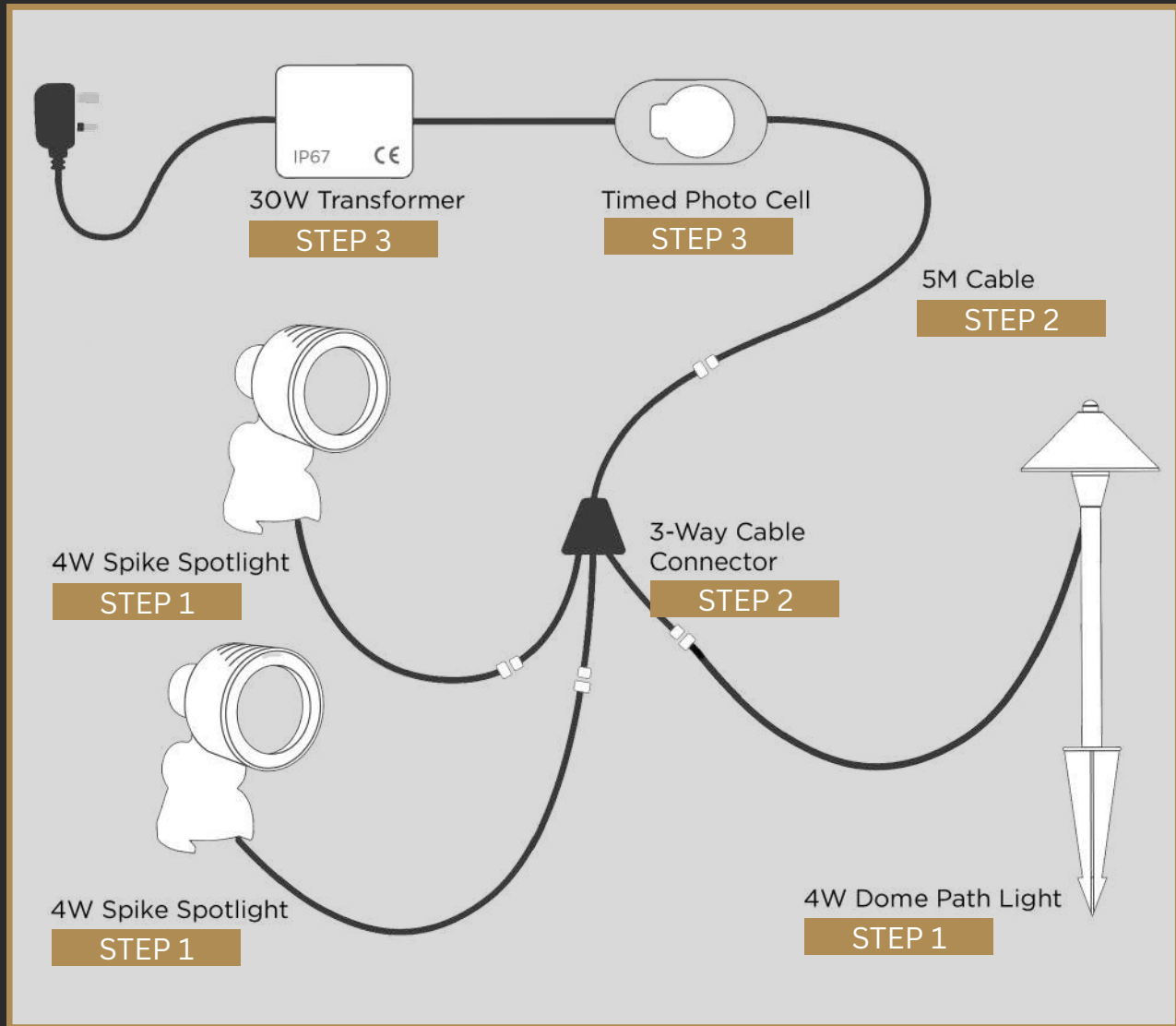
Replacement knuckle



THE 3 STEPS

PLUG IN & DONE

3 SIMPLE STEPS TO PERFECT LIGHTING



DESIGN GUIDELINES

TIPS

A GREAT CUSTOM LIGHTING SYSTEM STARTS WITH EASY PLANNING

LAYOUT

Look at your garden's layout. Look for standout features, focal points, or where light could create a warm ambiance.

PURPOSE

What's your purpose for lighting? Is it for safety, atmosphere, or maybe showcasing something specific?

ZONING

Think of your garden as different sections – paths, seating spots, focal points. Add lights to each section to make them stand out and create a cozy, balanced vibe.

FOCAL POINTS

Find your garden's features: trees, ornaments, anything unique – and give them the highlight they deserve.

LIGHTS

Choose a mix of light types – ambient, accent, and task lighting – to achieve balance and depth.

PLACEMENT

Arrange lights to avoid glare, while still creating magical shadows and highlights.

ANGLES

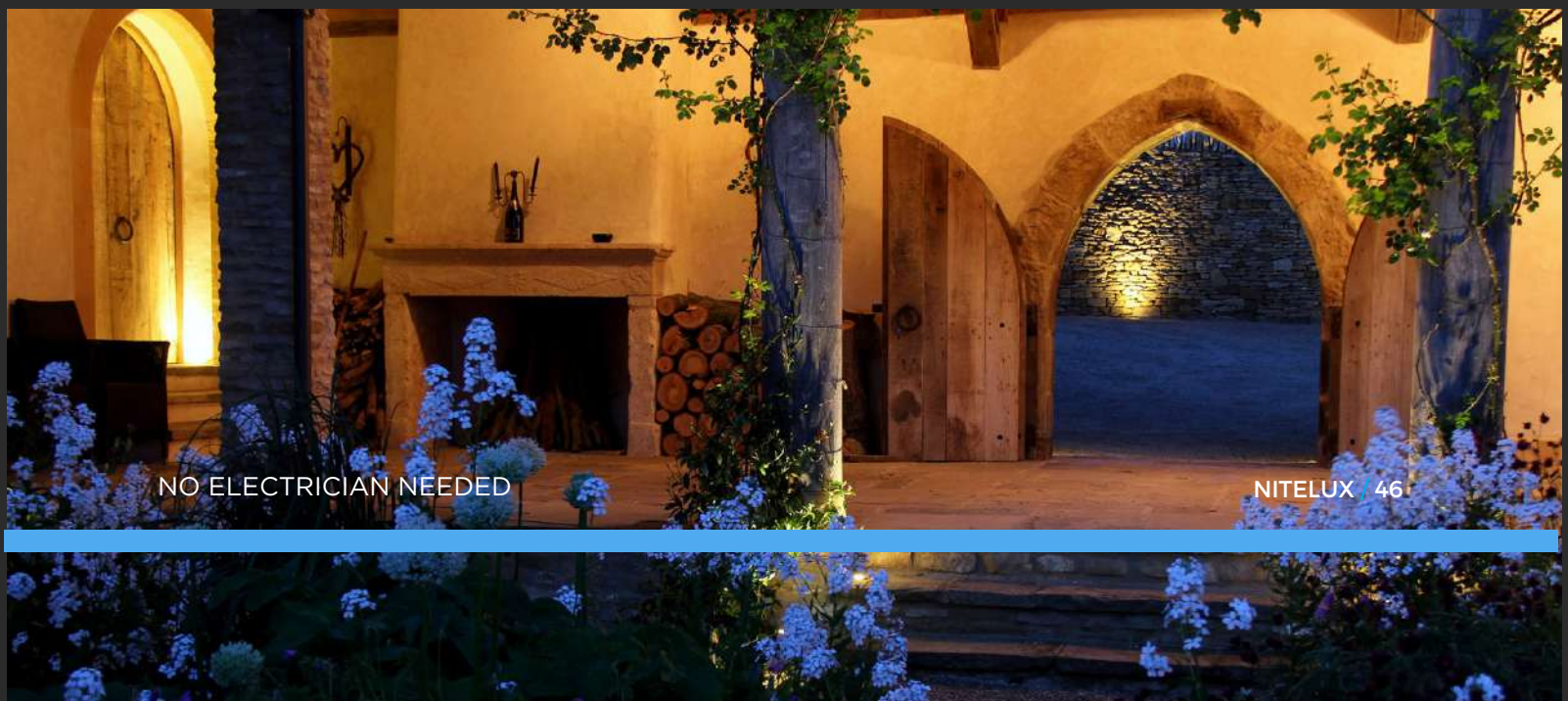
Play around with different lighting angles to get that perfect feel.

WIRING

Plan your wiring beforehand. Keep cabling discreet and minimise visible cables.

MAINTENANCE

Future accessibility is key for a long-lasting setup.



NO ELECTRICIAN NEEDED

NITELUX 46

GREAT GARDEN LIGHTING STARTS WITH A GREAT SYSTEM

LIGHT IN STYLE

Landscapers, why choose NiteLux?

With over 20 years of outdoor lighting expertise, we've got your back. Our 12V garden lighting system is like a breeze to install, saving you time and money.

Imagine this: your landscapes not only look amazing during the day but also shine brilliantly at night. Our lights are a snap to set up, so you can give your clients stunning outdoor spaces that are safe, secure, and totally Instagram-worthy after the sun sets.

e're all about being green & recycling!

We've teamed up with Ecologi and WEEE, so you're not just lighting up gardens, you're doing your bit for the planet too.

Join the NiteLux family and let's light up your landscaping projects, like never before!

PLUG IN & DONE.

www.NiteLux.co.uk
020 3916 5328

PART P EXEMPT



NO ELECTRICIAN NEEDED

NITELUX / 47

ELECTRICIANS

TIPS

EXPAND YOUR PORTFOLIO BY OFFERING A NEW SKILL

LIGHT IN STYLE

Electricians, guess what?

NiteLux is your new lighting superhero! With our 12V constant voltage garden lights, you can easily step into the world of outdoor lighting like a pro. No complicated setups here – just fast and fabulous installations that impress your clients.

Our products aren't just about lighting spaces, but also adding that extra spark to your skills. Bespoke fit into any 1/3rd party switching system with ease.

We're all about being green too. We're partnering with Ecologi and responsibly recycling with WEEE, so you're not just brightening up projects, you're doing it the eco-friendly way. Ready to take your electrician game up a notch? NiteLux is here help you along the way, to light up your expertise!

PLUG IN & DONE.

www.NiteLux.co.uk
020 3916 5328

PART P EXEMPT



NO ELECTRICIAN NEEDED

NITELUX / 48

DESIGNERS

TIPS

EXPAND YOUR PORTFOLIO BY OFFERING A NEW SKILL

LIGHT IN STYLE

Designers, guess what?

NiteLux aligns with your artistic vision and the well-being of your clients' outdoor spaces.

We're all about turning your designs into stunning nighttime wonders. Our 12V garden lights are like the finishing touch that takes your creations to the next level.

No fuss, just awe-inspiring results.

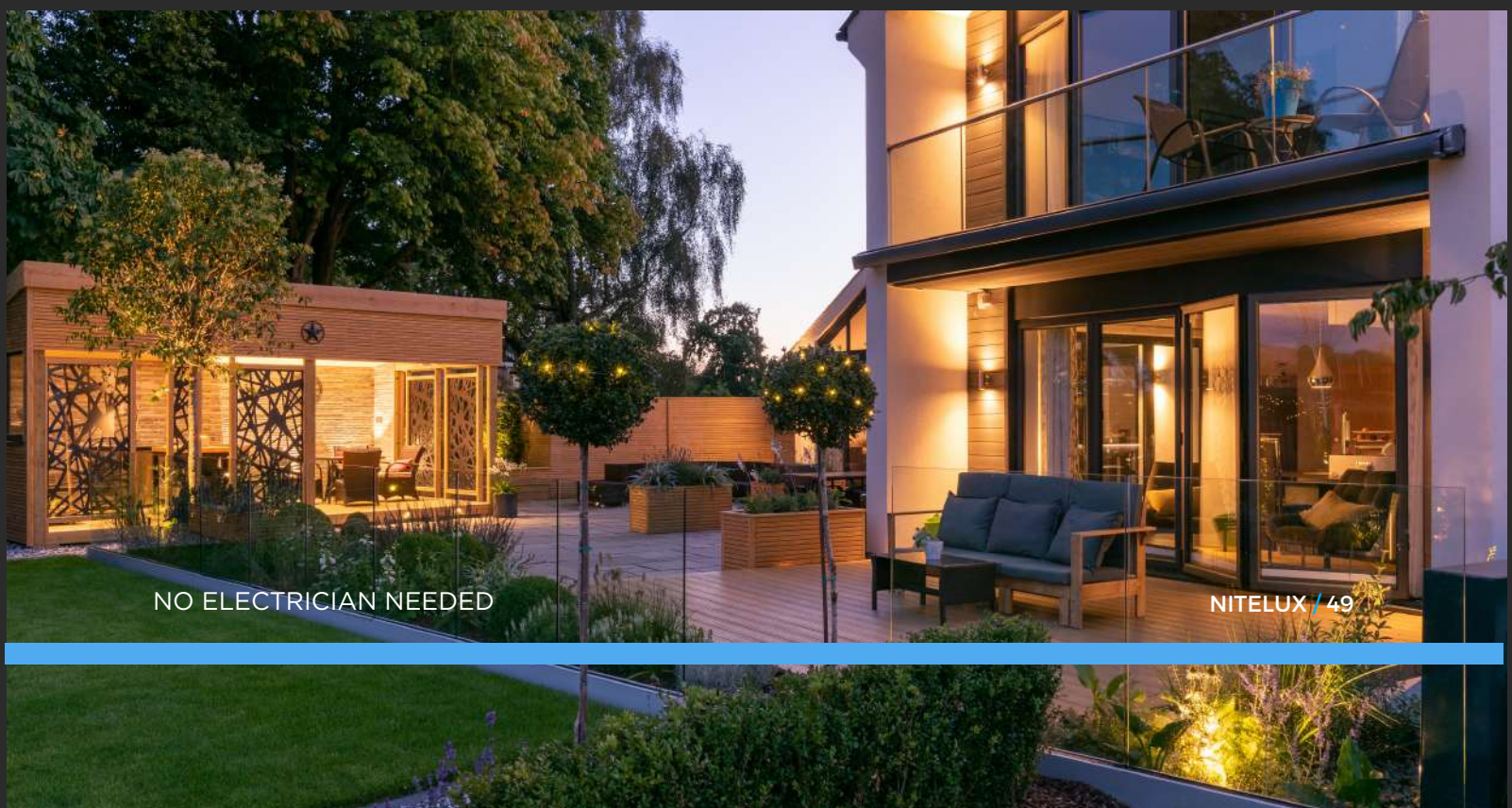
Plus, we're on a green mission too. Teaming up with Ecologi and recycling with WEEE, we're making sure your designs shine while helping to save the planet.

So, next time you're planning a garden masterpiece, remember - NiteLux lights are your secret to turning dreams into radiant realities!

PLUG IN & DONE.

www.NiteLux.co.uk
020 3916 5328

PART P EXEMPT



ENVIRONMENT



EMBRACE A SUSTAINABLE & GREENER FUTURE WITH NITELUX

Environmental Regulations and Climate Action for Your Business

In the UK, the Government regulates Waste Electrical and Electronic Equipment (WEEE) to reduce the amount of electronic waste that ends up in landfills. To comply with WEEE Regulations, companies that manufacture, import, rebrand, distribute or sell electrical/electronic equipment (EEE) must ensure that the proper disposal of equipment is in accordance with UK law.

NiteLux is also a proud member of Ecologi, which offers an effective solution to offset carbon footprints by supporting verified carbon offsets and promoting global climate action. The project focuses on three main aims: forest restoration, securing communal ownership of community forests, and agroforestry. These strategies promote long-term, sustainable land use and enhance the wellbeing of local communities.

By using NiteLux, your company can automatically join the journey towards positive climate change.



Ecologi

NO ELECTRICIAN NEEDED

NITELUX 50

CHELSEA FLOWER SHOW

AWARD WINNING GARDEN LIGHTING

PART P EXEMPT

NiteLux, light gardens for gold medal winning, UK designers and landscapers, at The Chelsea Flower Show.

NiteLux has also been trusted by some of the biggest names in the UK, using only our products to light up artwork, grand estates, and even small gardens - there is no job we are not able to turn into its own masterpiece.

A list of current clients:

- Emirati royal family
- Ongoing project for a current president's new home
- Top architects and hoteliers around the world
- One of UK's biggest record producers
- CEOs of Fortune 500 companies
- Premiership footballers and commentators
- High profile actors
- Leading city stock market traders and market makers
- An executive in one of the world's largest digital marketing agencies
- MD of the UK's leading smart lighting control company
- Top executive of an American multinational investment bank and financial services company.
- Founder of a recognised website which reunites old friends and family

Working with top high-profile customers not only validates the quality and reliability of NiteLux products, it also enhances our brand image, visibility, and industry reputation. Leading to long-term success and growth.

Paul Naylor - MD NiteLux

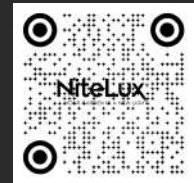


PLUG IN & DONE

NITELUX IS A PLUG 'N PLAY GARDEN LIGHTING SYSTEM THAT'S SIMPLE & MADE TO THE HIGHEST QUALITY.

- No electrician required to install
- No need for power tools
- Easiest 12V Garden Lighting System available
- Highest quality plug 'n play available
- Next day delivery
- Unlimited after sales support & FREE returns
- IP68 allows products to be in 4M of water
- 5 Year Warranty

www.NiteLux.co.uk
020 3916 5328



NiteLux[®]
YOUR GARDEN IN A NEW LIGHT